

## 5430012CCT

### JUNO S300 CCT SOLAR LED FLOODLIGHT

Juno solar LED floodlight. 24W power consumption and luminous efficacy of 160 lm/W. Equipped with 100 SMD 5054 LED chips. Selectable colour temperature via remote control (5700K / 4000K / 3000K) and a 90° symmetrical beam angle. Powered by a 36250 LiFePO4 battery, providing up to 12 hours of continuous operation. IP66 protection rating against external elements and IK08 mechanical impact resistance rating. Aluminium body with grey finish and polycarbonate lenses. Supplied with solar panel and remote control.



#### PRODUCT SPECIFICATIONS

Item code:	5430012CCT
Description:	Outdoor solar LED floodlight
EAN13 code:	8435724907304

#### ELECTRICAL DATA

Power:	24w
Dimmable:	YES
Electrical insulation class:	CLASS III

#### LUMINOUS DATA

Color temperature:	Selectable CCT 5700K/4000K/3000K
Luminous efficiency:	160lm/w
LED chip model:	SMD 5054
N.° LED chip:	100pcs
Beam angle:	90°
Luminous distribution:	Symmetrical
Color rendering index:	>80
Luminous flux maintenance:	L95B10

#### BATTERY DATA

Model:	36250 LiFePO4
Capacity:	30Ah
Charging time:	7 hrs
Autonomy:	12 hrs

## SOLAR PANEL DATA

Power:	25w
Voltage:	6VDC

## TECHNICAL DATA

Protection rating:	IP66 (Dust-tight and protected against powerful water jets)
Impact rating:	IK08 (5J)
Operating temperature:	-10°~45°
Mounting type:	Surface
Control mode:	Remote Control

## PHYSICAL DATA

### Housing

Material:	Aluminum
Finish:	Grey
Cable length:	35 cm

### Diffuser

Material:	Polycarbonate
Finish:	Transparent

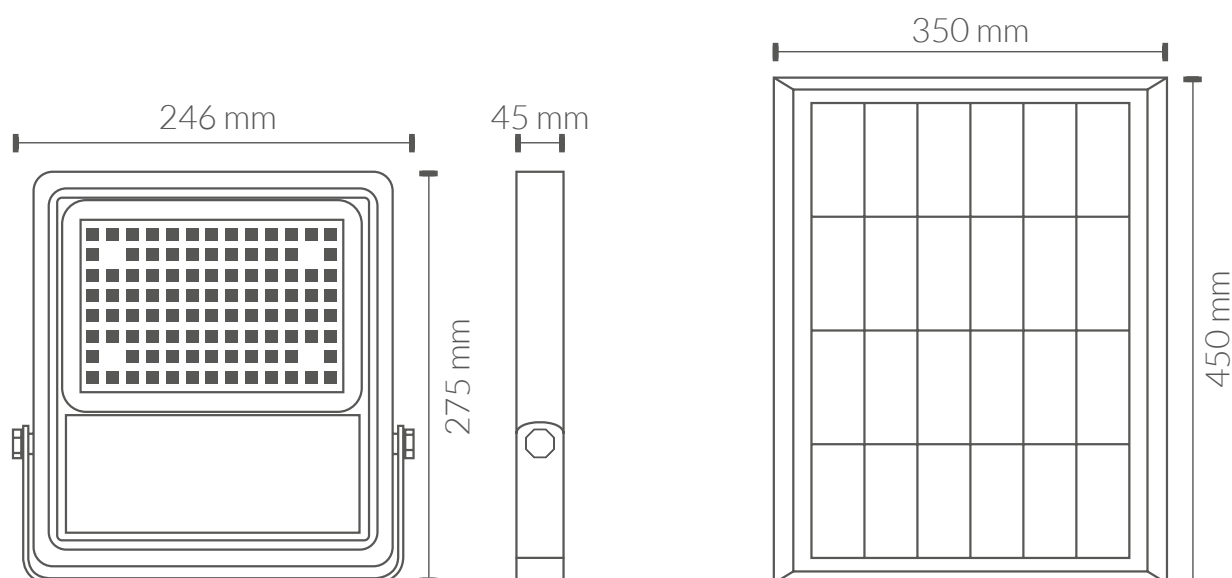
### Solar Panel

Material:	Monocrystalline silicon, aluminum, and glass
Cable length:	270 cm



### Weight

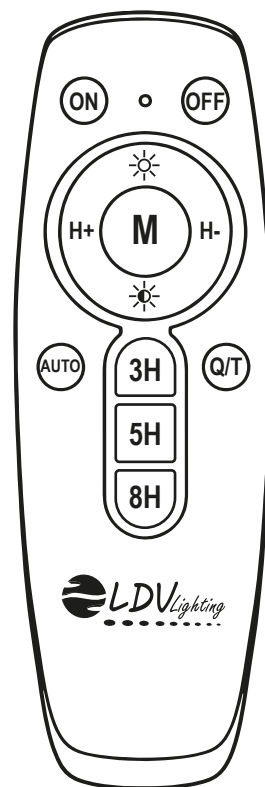
Floodlight weight:	1,61 kg
Panel weight:	1,25 kg

## DIMENSIONS

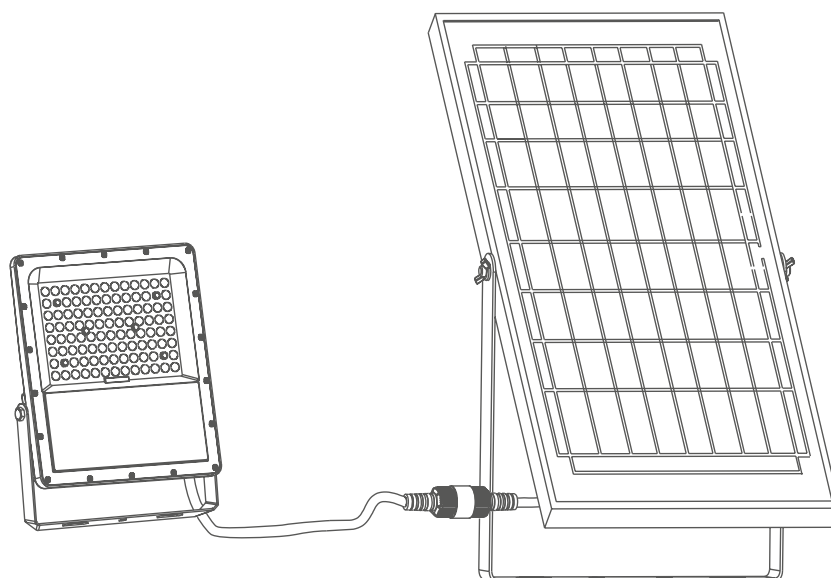


## REMOTE CONTROL FUNCTIONS

BUTTON	FUNCTION
ON	ON
OFF	OFF
H+	Increase Brightness
H-	Decrease Brightness
	Brightness 50%
	Brightness 100%
3H	Turns on at dusk and turns off after 3 hours
5H	Turns on at dusk and turns off after 5 hours
8H	Turns on at dusk and turns off after 8 hours
AUTO	Automatically turns on at dusk and turns off at dawn 1st hour: 100% output 2nd hour: 90% output 3rd hour: 80% output 4th hour: 70% output 5th hour: 60% output >6th hour: 50% output
M	Button not available on this model
Q/T	Button not available on this model



## INSTALLATION DIAGRAM



**Directiva EMC 2014/30/EU COMPATIBILIDAD ELECTROMAGNÉTICA**

- EN IEC 55015** Limits and methods of measurement of radio disturbance characteristics of electrical lighting and similar equipment.
- EN 61547** Equipment for general lighting purposes - EMC immunity requirements.
- EN IEC 61000-4-2** Electromagnetic Compatibility (EMC). Part 4-2: Test and Measurement Techniques. Electrostatic Discharge Immunity Test.
- IEC 61000-4-3** Electromagnetic Compatibility (EMC). Part 4-3: Test and Measurement Techniques. Immunity Tests to Radiated Radiofrequency Electromagnetic Fields. (Ratified by the Spanish Association for Standardization in April 2021.)

**LVD directive 2014/35/EU LOW VOLTAGE**

- EN IEC60598-1** Luminaires. Part 1: General requirements and tests.
- EN 60598-2-5** Luminaires. Part 2-5: Particular requirements. Floodlights.
- EN 6147-2-11** Lamp control gear. Part 2-11: Particular requirements for miscellaneous electronic circuits used with luminaires.
- EN 61347-1** Lamp control gear. Part 1: General and safety requirements.
- EN IEC 62031** LED modules for general lighting. Safety requirements.
- EN 62493** Assessment of lighting equipment related to human exposure to electromagnetic fields.

**RoHS Directive 2011/65/EU and Delegated Directive (EU) 2015/863**

Determination of certain substances in electrical and electronic products.

- IEC 62321-3-1**      **IEC 62321-6**
- IEC 62321-7-1**      **IEC 62321-8**

