

541201NW

LED SOLAR FLOODLIGHT CALETA WITH SENSOR

LED SOLAR FLOODLIGHT WITH PIR SENSOR CALETA. 12W power consumption and 1500lm luminous flux. 120° optical beam angle and 4000K color temperature. Battery model 18650 3.7V 4000mAh Li-ion, providing up to 18 hours autonomy in night mode or 4 hours in ON/OFF mode. Protection rating against external elements IP54, and mechanical impact protection IK06. The floodlight can be installed either combined or independently, featuring a 3-meter connection cable. ABS body with black finish and polycarbonate diffuser.



PRODUCT SPECIFICATIONS

Item code:	541201NW
Descripción:	LED Solar Floodlight for Outdoor Use
Código EAN13:	8436548448158

ELECTRICAL DATA

Power:	12w
Dimmable:	NOT
Electrical insulation class:	CLASS III

LUMINOUS DATA

Color temperature:	4000K
Luminous efficiency:	1500lm
Lumens:	125lm/w
Beam angle:	120°
Luminous distribution:	Symmetrical
Color rendering index:	>80
Luminous flux maintenance:	L95B10

BATTERY DATA

Model:	18650 3,7V 4000mAh Li-on
Capacity:	400mAh
Charging Time:	8 a 10 hrs
Operating Hours:	18 hrs Night Light Function / 4 hrs ON/OFF Function

SOLAR PANEL DATA

Power:	2,5W
Voltage:	5V 500mA

SENSOR DATA

Sensor type:	PIR
Work mode:	Night Light Function / ON/OFF Function
Configuration options:	YES
Detection range:	7 m
Detection angle:	110°
Hold time:	10-60 sg
Light sensor:	15-1000 lux

OPERATING DATA

Operating Mode 1:	ON/OFF Function
Autonomy:	4 hours
Lumens:	1500lm
Operating Mode 2:	Night Light Function
Autonomy:	18 hours
Lumens:	330lm

In Darkness (15-1000 lux). The light remains permanently on, emitting 330lm with 18 hrs autonomy. When motion is detected, it operates in ON mode.

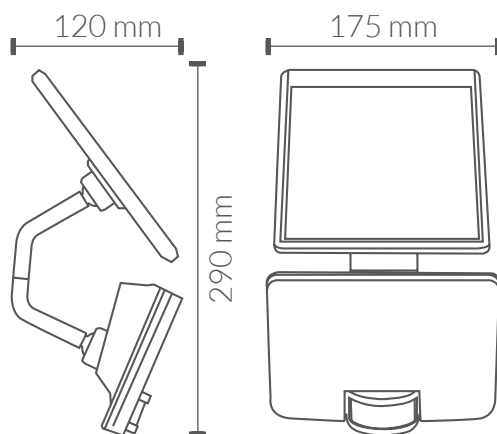
TECHNICAL DATA

Protection Rating:	IP54 (Equipment protected against dust and water splashes)	
Impact Rating:	IK06	
Operating Temperature:	-20°~50°	
Mounting Type:	Surface	
Mounting Mode:	Option 1	Combined
	Option 2	Separate Installation
Connection Cable:	3 m	

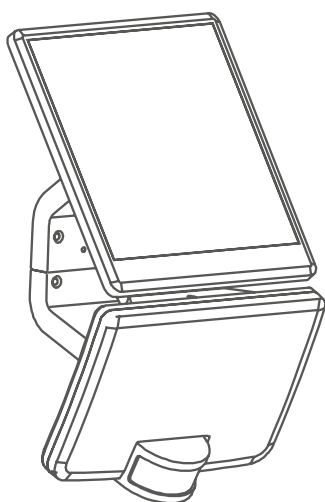
PHYSICAL DATA

Housing		
Material:	ABS	
Finish:	Black	
Diffuser		
Material:	Polycarbonate	
Finish:	Opal	
Solar Panel		
Material:	Polycrystalline	
Dimensions:	165 x 180 mm	
Weight		
Weight:	0,86 kg	

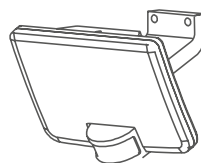
DIMENSIONS



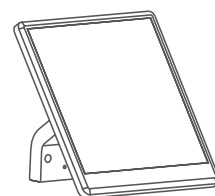
INSTALLATION DIAGRAM



Combined Installation



Separate Installation



CERTIFICATIONS

