

## 5625002CW

### SÉNECA LED FLOODLIGHT 250W 5700K

SÉNECA LED floodlight for outdoor use, 250W power and luminous flux of 36250lm. Equipped with 500 Lumileds LED chips and MOSO MNC-200 series driver, with 6kV surge protection. 120° symmetrical beam angle and 5700K color temperature. IP65 protection rating against external elements and IK08 mechanical impact resistance rating. Aluminum body, galvanized steel fixings, and polycarbonate diffuser. Incorporates an anti-condensation valve to prevent moisture accumulation.



#### PRODUCT SPECIFICATIONS

Item code:	5625002CW
Description:	LED floodlight for outdoor use
EAN13 code:	8436568445854

#### ELECTRICAL DATA

Power:	250W
Voltage:	90-305vac
Frequency:	50-60Hz
Power factor:	0,9
Dimmable:	NOT
Driver brand:	MOSO serie MNC 200
Driver protection:	OVP, SCP, OPP, OTP
Overvoltage protection:	Line-to-line 4kV / Line-to-earth 6kV
Electrical insulation class:	CLASS I
Connection:	L/N+TT

#### LUMINOUS DATA

Color temperature:	5700K
Luminous efficiency:	145 lm/w
Lumens:	36250lm
LED chip brand:	Lumileds
LED chip model:	SMD 2835
N.º LED chip:	500 pcs
Beam angle:	120°
Luminous distribution:	Symmetrical
Color rendering index:	>80
Color rendering index, minimum:	80
Color rendering index, maximum:	85

Standard deviation of colour matching:	<6
Luminous flux maintenance:	L90
Flicker index:	≤1,0
SVM (Stroboscopic Visibility Measure):	≤0,4
Flicker free:	YES

## TECHNICAL DATA

Protection rating:	IP65 (Dust-tight equipment and protected against water jets)
Impact rating:	IK08 (5J)
Operating temperature:	-25°~45°
Mounting type:	Surface
Oscillation of the lira:	300°
Goniometer:	YES
Anti-condensation Valve:	YES

## AVERAGE LIFESPAN

Working hours:	55000 hrs
Switching cycles:	35000 ON/OFF

## PHYSICAL DATA

### Housing

Material:	Aluminum
Finish:	Beige gray
RAL:	7006

### Yoke and side plates

Material:	Galvanized zinc-coated Steel
Finish:	Black

### Diffuser

Material:	Polycarbonate
Finish:	Transparent

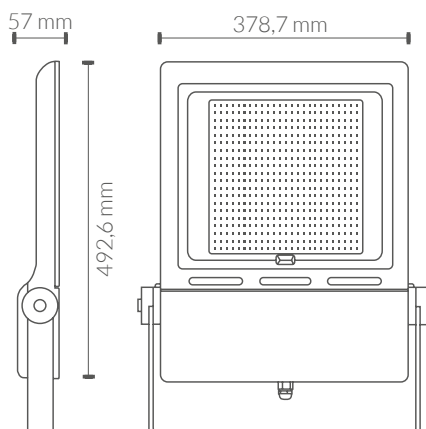
### Weight

Weight:	6,15 kg
---------	---------

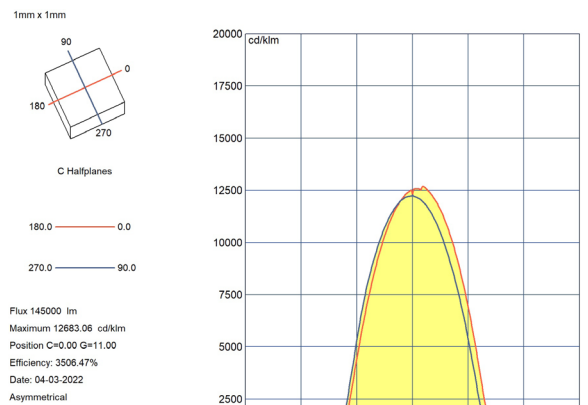
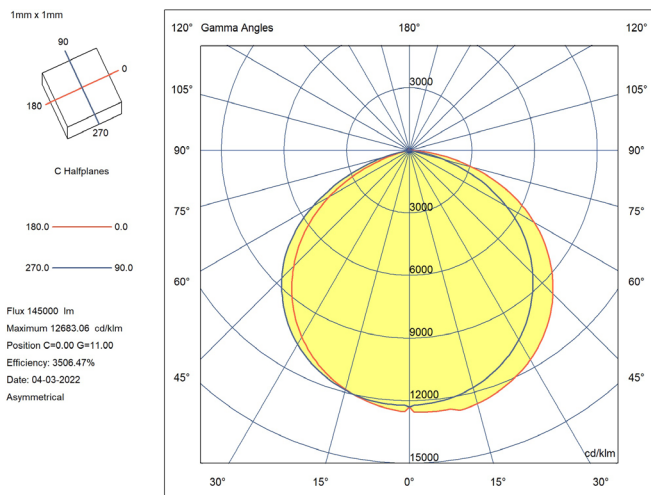
## ENERGY EFFICIENCY 2023(UE-2019/2015)

E

## DIMENSIONS



## LUMINOUS INTENSITY DISTRIBUTION CURVE



## CERTIFICATIONS

CE & ROHS

### EMC directive 2014/30/EU ELECTROMAGNETIC COMPATIBILIT

- EN IEC 55015** Limits and methods of measurement of radio disturbance characteristics of electrical lighting and similar equipment.
- EN IEC 61000-3-2** Electromagnetic compatibility (EMC) - Part 3-2: Limits - Limits for harmonic current emissions (equipment input current =16 A per phase).
- EN 61000-3-3** Electromagnetic compatibility (EMC) - Part 3-3: Limits - Limitation of voltage changes, voltage fluctuations and flicker in public low-voltage supply systems, for equipment with rated current  $\leq 16$  A per phase and not subject to conditional connection.
- EN 61547** Equipment for general lighting purposes - EMC immunity requirements.
- LVD directive 2014/35/EU LOW VOLTAGE**
- EN 60598-2-5** Luminaires - Part 2-5: Particular requirements - Floodlights
- EN 60598-1** Luminaires - Part 1: General requirements and tests.
- EN 62493** Assessment of lighting equipment related to human exposure to electromagnetic Field

### RoHS Directive 2011/65/EU and Delegated Directive (EU) 2015/863

Determination of Certain Substances in Electrotechnical Products.

- |                      |                      |                      |
|----------------------|----------------------|----------------------|
| <b>IEC 62321-2</b>   | <b>IEC 62321-3-1</b> | <b>IEC 62321-4</b>   |
| <b>IEC 62321-5</b>   | <b>IEC 62321-6</b>   | <b>IEC 62321-7-2</b> |
| <b>IEC 62321-7-1</b> | <b>IEC 62321-8</b>   |                      |

