

564000390NW

## PÓPULO LED FLOODLIGHT 400W 4000K 90°

PÓPULO LED floodlight for outdoor use, 400W power and luminous flux of 57200lm. Equipped with 448 Lumileds LED chips and driver with 6KV surge protection. 90° symmetrical optical beam angle and 4000K color temperature. IP66 protection rating against external elements and IK08 mechanical impact resistance rating. Aluminum body and polycarbonate lens. Incorporates an anti-condensation valve to prevent moisture accumulation.



### PRODUCT SPECIFICATIONS

|              |                                |
|--------------|--------------------------------|
| Item code:   | 564000390NW                    |
| Description: | LED floodlight for outdoor use |
| EAN13 code:  | 8435724900497                  |

### ELECTRICAL DATA

|                              |                    |
|------------------------------|--------------------|
| Power:                       | 400w               |
| Voltage:                     | 175-265vac         |
| Frequency:                   | 50-60 Hz           |
| Power factor:                | 0,9                |
| Dimmable:                    | NOT                |
| Driver Protection:           | OVP, SCP, OPP, OTP |
| Overvoltage protection:      | 6kv                |
| Electrical insulation class: | CLASS I            |
| Connection:                  | L/N+TT             |

### LUMINOUS DATA

|   |             |
|---|-------------|
| Color temperature:                      | 4000K       |
| Luminous efficiency:                    | 143 lm/w    |
| Lumens:                                 | 57200lm     |
| LED chip brand:                         | Lumileds    |
| LED chip model:                         | SMD2835     |
| N.º LED chip:                           | 448pcs      |
| Beam angle:                             | 90°         |
| Luminous distribution:                  | Symmetrical |
| Color rendering index:                  | >80         |
| Color rendering index, minimum:         | 80          |
| Color rendering index, maximum:         | 85          |
| Standard desviation of colour matching: | <6          |

|  |      |
|--|------|
| Luminous flux maintenance:             | L90  |
| Flicker index:                         | ≤1,0 |
| SVM (Stroboscopic Visibility Measure): | ≤0,4 |
| Flicker free:                          | YES  |

## TECHNICAL DATA

|                          |  |
|--------------------------|--|
| Protection rating:       | IP65 (Dust-tight equipment and protected against water jets) |
| Impact rating:           | IK08 (5J)  |
| Operating temperature:   | -20°~50°   |
| Mounting type:           | Surface  |
| Anti-condensation Valve: | YES  |

## AVERAGE LIFESPAN

|                   |              |
|-------------------|--------------|
| Working hours:    | 55000 hrs    |
| Switching cycles: | 35000 ON/OFF |

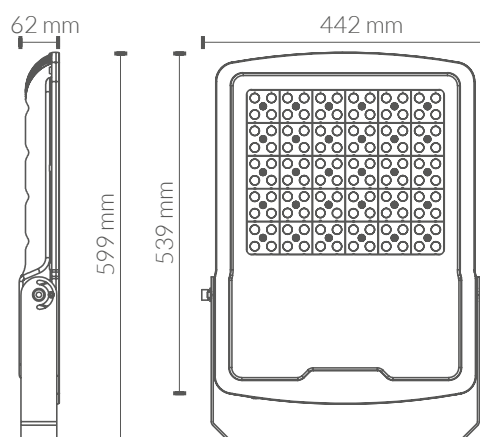
## PHYSICAL DATA

|                 |             |
|-----------------|-------------|
| <b>Housing</b>  |             |
| Material:       | Aluminum    |
| Finish:         | Black       |
| <b>Diffuser</b> |             |
| Material:       | Glass       |
| Finish:         | Transparent |
| <b>Weight</b>   |             |
| Weight:         | 8,50 kg     |

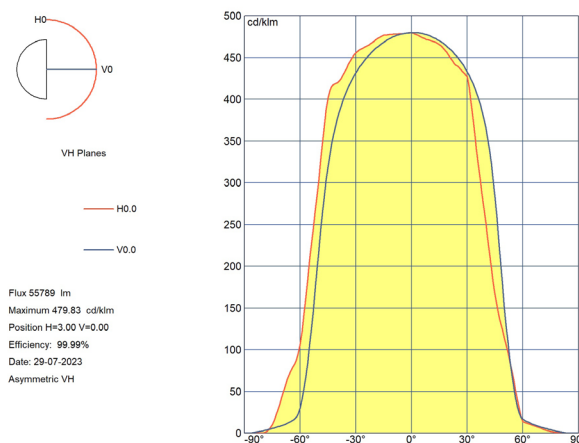
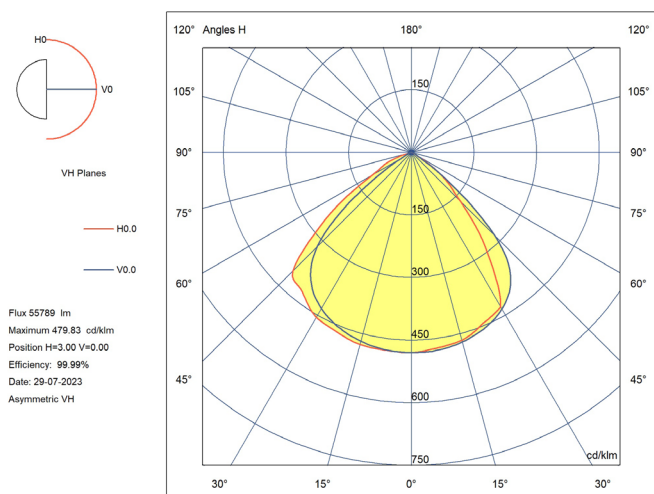
## ENERGY EFFICIENCY 2023(UE-2019/2015)

**E**

## DIMENSIONS



## LUMINOUS INTENSITY DISTRIBUTION CURVE



## CERTIFICATIONS

CE & ROHS

### EMC directive 2014/30/EU ELECTROMAGNETIC COMPATIBILITY

- EN IEC 55015** Limits and methods of measurement of radio disturbance characteristics of electrical lighting and similar equipment.
- EN IEC 61000-3-2** Electromagnetic compatibility (EMC) - Part 3-2: Limits - Limits for harmonic current emissions (equipment input current =16 A per phase).
- EN 61000-3-3** Electromagnetic compatibility (EMC) - Part 3-3: Limits - Limitation of voltage changes, voltage fluctuations and flicker in public low-voltage supply systems, for equipment with rated current  $\leq 16$  A per phase and not subject to conditional connection.
- EN 61547** Equipment for general lighting purposes - EMC immunity requirements.

### LVD directive 2014/35/EU LOW VOLTAGE

- EN 60598-2-5** Luminaires - Part 2-5: Particular requirements - Floodlights
- EN 60598-1** Luminaires - Part 1: General requirements and tests.
- EN 62471** Photobiological safety of lamps and lamp system
- EN 62493** Assessment of lighting equipment related to human exposure to electromagnetic Field
- EN 62031** LED modules for general lighting. Safety specifications
- EN 61347-1** Lamp controlgear - Part 1: General and safety requirements
- EN 61347-2-13** Lamp controlgear - Part 2-13: Particular requirements for d.c. or a.c. supplied electronic controlgear for LED modules

### RoHS Directive 2011/65/EU and Delegated Directive (EU) 2015/863

Determination of Certain Substances in Electrotechnical Products.

- IEC 62321-3-1**      **IEC 62321-5**      **IEC 62321-4**      **CSV IEC 62321-6**
- IEC 62321-7-1**      **IEC 62321-7-2**      **IEC 62321-8**

