

563000345NW

PÓPULO LED FLOODLIGHT 300W 4000K 45°X157°

PÓPULO LED floodlight for outdoor use, 300W power and luminous flux of 42900lm. Equipped with 384 Lumileds LED chips and driver with 6KV surge protection. 45°x157° asymmetrical optical beam angle and 4000K color temperature. IP66 protection rating against external elements and IK08 mechanical impact resistance rating. Aluminum body and polycarbonate lens. Incorporates an anti-condensation valve to prevent moisture accumulation.



PRODUCT SPECIFICATIONS

| | |
|--------------|--------------------------------|
| Item code: | 563000345NW |
| Description: | LED floodlight for outdoor use |
| EAN13 code: | 8435724900718 |

ELECTRICAL DATA

| | |
|------------------------------|--------------------|
| Power: | 300w |
| Voltage: | 175-265vac |
| Frequency: | 50-60 Hz |
| Power factor: | 0,9 |
| Dimmable: | NOT |
| Driver Protection: | OVP, SCP, OPP, OTP |
| Overvoltage protection: | 6kv |
| Electrical insulation class: | CLASS I |
| Connection: | L/N+TT |

LUMINOUS DATA

| | |
|---|------------|
| Color temperature: | 4000K |
| Luminous efficiency: | 143 lm/w |
| Lumens: | 42900lm |
| LED chip brand: | Lumileds |
| LED chip model: | SMD2835 |
| N.º LED chip: | 384pcs |
| Beam angle: | 45°x157° |
| Luminous distribution: | Asymmetric |
| Color rendering index: | >80 |
| Color rendering index, minimum: | 80 |
| Color rendering index, maximum: | 85 |
| Standard desviation of colour matching: | <6 |

| | |
|--|------|
| Luminous flux maintenance: | L90 |
| Flicker index: | ≤1,0 |
| SVM (Stroboscopic Visibility Measure): | ≤0,4 |
| Flicker free: | YES |

TECHNICAL DATA

| | |
|--------------------------|--|
| Protection rating: | IP65 (Dust-tight equipment and protected against water jets) |
| Impact rating: | IK08 (5J) |
| Operating temperature: | -20°~50° |
| Mounting type: | Surface |
| Anti-condensation Valve: | YES |

AVERAGE LIFESPAN

| | |
|-------------------|--------------|
| Working hours: | 55000 hrs |
| Switching cycles: | 35000 ON/OFF |

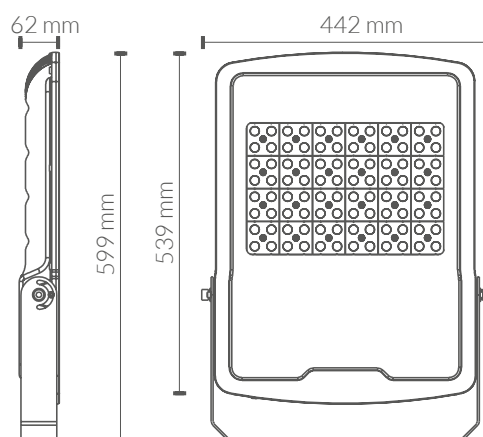
PHYSICAL DATA

| | |
|-----------------|-------------|
| Housing | |
| Material: | Aluminum |
| Finish: | Black |
| Diffuser | |
| Material: | Glass |
| Finish: | Transparent |
| Weight | |
| Weight: | 8,20 kg |

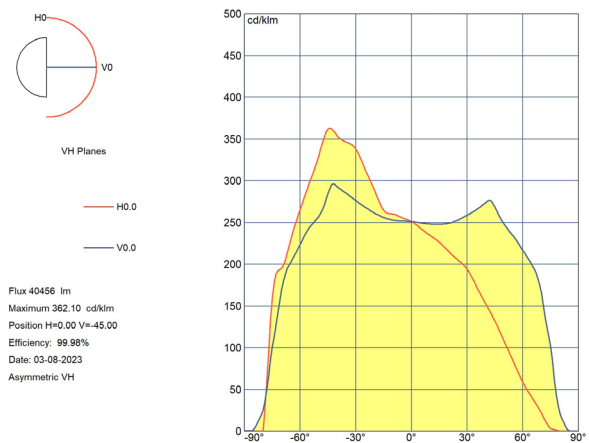
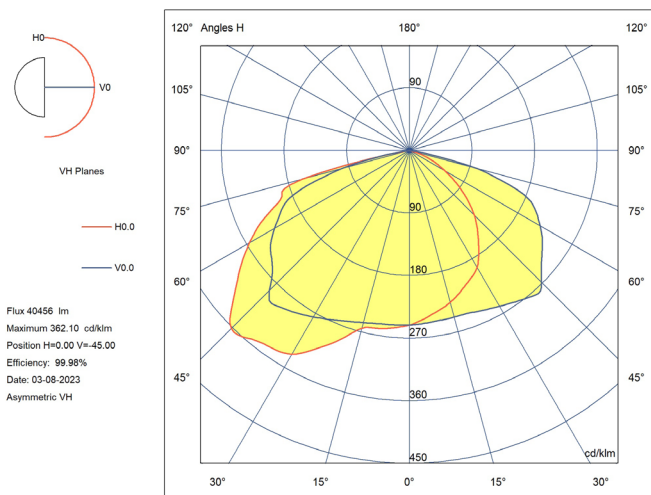
ENERGY EFFICIENCY 2023(UE-2019/2015)

E

DIMENSIONS



LUMINOUS INTENSITY DISTRIBUTION CURVE



CERTIFICATIONS

CE & ROHS

EMC directive 2014/30/EU ELECTROMAGNETIC COMPATIBILITY

- EN IEC 55015** Limits and methods of measurement of radio disturbance characteristics of electrical lighting and similar equipment.
- EN IEC 61000-3-2** Electromagnetic compatibility (EMC) - Part 3-2: Limits - Limits for harmonic current emissions (equipment input current =16 A per phase).
- EN 61000-3-3** Electromagnetic compatibility (EMC) - Part 3-3: Limits - Limitation of voltage changes, voltage fluctuations and flicker in public low-voltage supply systems, for equipment with rated current ≤ 16 A per phase and not subject to conditional connection.
- EN 61547** Equipment for general lighting purposes - EMC immunity requirements.

LVD directive 2014/35/EU LOW VOLTAGE

- EN 60598-2-5** Luminaires - Part 2-5: Particular requirements - Floodlights
- EN 60598-1** Luminaires - Part 1: General requirements and tests.
- EN 62471** Photobiological safety of lamps and lamp system
- EN 62493** Assessment of lighting equipment related to human exposure to electromagnetic Field
- EN 62031** LED modules for general lighting. Safety specifications
- EN 61347-1** Lamp controlgear - Part 1: General and safety requirements
- EN 61347-2-13** Lamp controlgear - Part 2-13: Particular requirements for d.c. or a.c. supplied electronic controlgear for LED modules

RoHS Directive 2011/65/EU and Delegated Directive (EU) 2015/863

Determination of Certain Substances in Electrotechnical Products.

- IEC 62321-3-1** **IEC 62321-5** **IEC 62321-4** **CSV IEC 62321-6**
- IEC 62321-7-1** **IEC 62321-7-2** **IEC 62321-8**

