

# TECHNICAL DATA SHEET



## 553030SCCT

### LED FLOODLIGHT KADO WITH SENSOR 30W CCT

LED Floodlight KADO CCT with sensor for outdoor use, 30W power and 3600lm luminous flux. Equipped with 72 LUMILEDS LED chips. Symmetrical 90° optical beam angle and 3 selectable color temperatures via remote control. Protection rating against external elements IP65 and mechanical impact resistance rating IK09. Housing made of aluminum with gray finish and transparent polycarbonate lens.



#### PRODUCT SPECIFICATIONS

Item code:	553030SCCT
Description:	LED Floodlight for Outdoor Use
EAN13 code:	8435724907779

#### ELECTRICAL DATA

Power:	30W
Voltage:	90-265VAC
Frequency:	50-60 Hz
Power factor:	0,9
Dimmable:	NOT
Electrical insulation class:	CLASS I
Connection:	L/N+TT

#### LUMINOUS DATA

Color temperature:	Selectable CCT 5700K/4000K/3000K
Color temperature selection mode:	Remote control unit
Luminous efficiency:	120lm/w
Lumens:	3600lm
LED chip brand:	LUMILEDS
LED chip model:	SMD 2835
N.° of LED chips:	72 pcs
Beam angle:	90°
Luminous distribution:	Symmetrical
Color rendering index:	>80
Minimum color rendering index:	80
Maximum color rendering index:	85

Standard deviation of colour matching:	<4
Luminous flux maintenance:	L90
Flicker index:	≤1,0
SVM (Stroboscopic Visibility Measure):	≤0,9
Flicker free:	YES

## TECHNICAL DATA

Protection rating:	IP65 (Dust-tight equipment and protected against water jets)
Impact rating:	IK09 (10J)
Operating temperature:	-20°~50°
Mounting type:	Surface

## AVERAGE LIFESPAN

Working hours:	45000 hrs
Switching cycles:	35000 ON/OFF

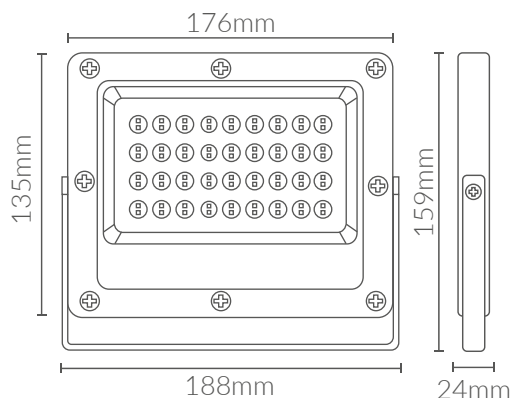
## DATOS SENSOR

Sensor type:	Microwave
Work mode:	ALLDAY: Sensor operation 24 hours NIGHT: Sensor operation during night-time only
Configuration options:	YES
Detection range:	2mt, 4mt, 6mt, 8mt.
Detection angle:	150°
Hold time:	30s, 90s, 3min, 5min, 10min.
Mounting height:	Máx. 6 mt.
Configuration options:	Remote control unit

## PHYSICAL DATA

<b>Housing</b>	
Material:	Aluminum
Finish:	Gray
<b>Optical</b>	
Material:	Polycarbonate (PC)
Finish:	Transparent
<b>Weight</b>	
Weight:	0,4 kg

## DIMENSIONS



## CERTIFICATIONS

### CE & ROHS

#### Directiva EMC 2014/30/EU ELECTROMAGNETIC COMPATIBILIT

- EN IEC 55015** Limits and methods of measurement of radio disturbance characteristics of electrical lighting and similar equipment.
- EN IEC 61000-3-2** Electromagnetic compatibility (EMC) - Part 3-2: Limits - Limits for harmonic current emissions (equipment input current =16 A per phase).
- EN 61000-3-3** Electromagnetic compatibility (EMC) - Part 3-3: Limits - Limitation of voltage changes, voltage fluctuations and flicker in public low-voltage supply systems, for equipment with rated current  $\leq 16$  A per phase and not subject to conditional connection.
- EN 61547** Equipment for general lighting purposes - EMC immunity requirements.

#### Directiva LVD 2014/35/EU LOW VOLTAGE

- EN 60598-2-5** Luminaires. Part 2-5: Particular requirements. Floodlights.
- EN 60598-1** Luminaires. Part 1: General requirements and tests.

#### RoHS Directive 2011/65/EU and Delegated Directive (EU) 2015/863

Determination of Certain Substances in Electrotechnical Products.

- IEC 62321-1**      **IEC 62321-1-2**
- IEC 62321-3-1**      **IEC 62321-4**
- IEC 62321-6**      **IEC 62321-7-1**
- IEC 62321-7-2**      **IEC 62321-8**

