

553030CCT

LED FLOODLIGHT KADO 30W CCT

LED Floodlight KADO for outdoor use, 30W power and 3600lm luminous flux. Equipped with 36 LUMILEDS LED chips. Symmetrical 120° optical beam angle and 3 selectable color temperatures via DIP switch. Protection rating against external elements IP65 and mechanical impact resistance rating IK09. Housing made of aluminum with gray finish and transparent polycarbonate lens.



PRODUCT SPECIFICATIONS

Item code:	553030CCT
Description:	LED Floodlight for outdoor use
EAN13 code:	8435724907922

ELECTRICAL DATA

Power:	30W
Voltage:	90-265vac
Frequency:	50-60 Hz
Power factor:	0,7
Dimmable:	NOT
Electrical insulation class:	CLASS I
Connection:	L/N+TT

LUMINOUS DATA

Color temperature:	Selectable CCT 5700K/4000K/3000K
Luminous efficiency:	120lm/w
Color temperature selection mode:	DIP Switch
Lumens:	3600lm
LED chip brand:	LUMILEDS
LED chip model:	SMD 2835
N.° of LED chips:	36 pcs
Beam angle:	120°
Luminous distribution:	Symmetrical
Color rendering index:	>80
Minimum color rendering index:	80

Maximum color rendering index:	85
Standard deviation of colour matching:	<4
Luminous flux maintenance:	L90
Flicker index:	≤1,0
SVM (Stroboscopic Visibility Measure):	≤0,9
Flicker free:	YES

TECHNICAL DATA

Protection rating:	IP65 (Dust-tight equipment and protected against water jets)
Impact rating:	IK09 (10J)
Operating temperature:	-20°~50°
Mounting type:	Surface

AVERAGE LIFESPAN

Working hours:	45000 hrs
Switching cycles:	35000 ON/OFF

PHYSICAL DATA

Housing

Material:	Aluminum
Finish:	Gray

Optical

Material:	Polycarbonate (PC)
Finish:	Transparent

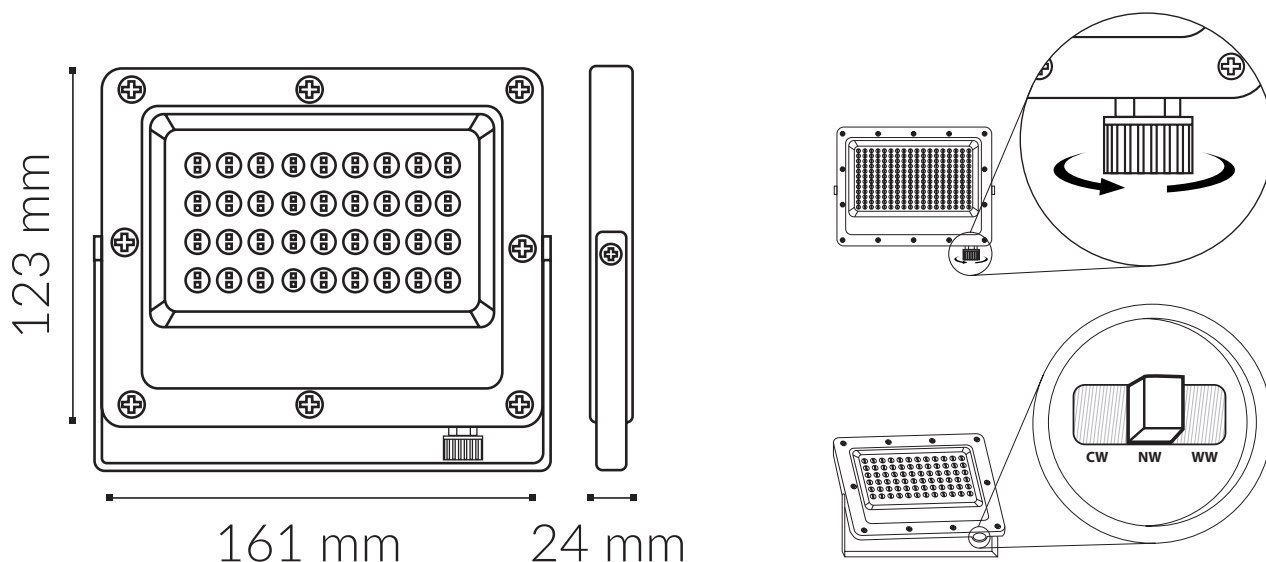
Weight

Weight:	0,31 kg
---------	---------

ENERGY EFFICIENCY 2023(UE-2019/2015)

F

DIMENSIONS



Directiva EMC 2014/30/EU ELECTROMAGNETIC COMPATIBILIT

- EN IEC 55015** Limits and methods of measurement of radio disturbance characteristics of electrical lighting and similar equipment.
- EN IEC 61000-3-2** Electromagnetic compatibility (EMC) - Part 3-2: Limits - Limits for harmonic current emissions (equipment input current =16 A per phase).
- EN 61000-3-3** Electromagnetic compatibility (EMC) - Part 3-3: Limits - Limitation of voltage changes, voltage fluctuations and flicker in public low-voltage supply systems, for equipment with rated current ≤ 16 A per phase and not subject to conditional connection.
- EN 61547** Equipment for general lighting purposes - EMC immunity requirements.

Directiva LVD 2014/35/EU LOW VOLTAGE

- EN 60598-2-5** Luminaires. Part 2-5: Particular requirements. Floodlights.
- EN 60598-1** Luminaires. Part 1: General requirements and tests.

RoHS Directive 2011/65/EU and Delegated Directive (EU) 2015/863
Determination of Certain Substances in Electrotechnical Products.

- IEC 62321-1** **IEC 62321-1-2**
- IEC 62321-3-1** **IEC 62321-4**
- IEC 62321-6** **IEC 62321-7-1**
- IEC 62321-7-2** **IEC 62321-8**

