

## 5510030CCT

### LED FLOODLIGHT KADO 100W CCT

LED Floodlight KADO for outdoor use, 100W power and 12000lm luminous flux. Equipped with 144 LUMILEDS LED chips. Symmetrical 90° optical beam angle and 3 selectable color temperatures via DIP switch. Protection rating against external elements IP65 and mechanical impact resistance rating IK09. Housing made of aluminum with gray finish and transparent polycarbonate lens.



#### PRODUCT SPECIFICATIONS

Item code:	5510030CCT
Description:	LED Floodlight for outdoor use
EAN13 code:	8435724907946

#### ELECTRICAL DATA

Power:	100W
Voltage:	90-265vac
Frequency:	50-60 Hz
Power factor:	0,7
Dimmable:	NOT
Electrical insulation class:	CLASS I
Connection:	L/N+TT

#### LUMINOUS DATA

Color temperature:	Selectable CCT 5700K/4000K/3000K
Luminous efficiency:	120lm/w
Color temperature selection mode:	DIP Switch
Lumens:	12000lm
LED chip brand:	LUMILEDS
LED chip model:	SMD 2835
N.° of LED chips:	144 pcs
Beam angle:	120°
Luminous distribution:	Symmetrical
Color rendering index:	>80
Minimum color rendering index:	80

Maximum color rendering index:	85
Standard deviation of colour matching:	<4
Luminous flux maintenance:	L90
Flicker index:	≤1,0
SVM (Stroboscopic Visibility Measure):	≤0,9
Flicker free:	YES

## TECHNICAL DATA

Protection rating:	IP65 (Dust-tight equipment and protected against water jets)
Impact rating:	IK09 (10J)
Operating temperature:	-20°~50°
Mounting type:	Surface

## AVERAGE LIFESPAN

Working hours:	45000 hrs
Switching cycles:	35000 ON/OFF

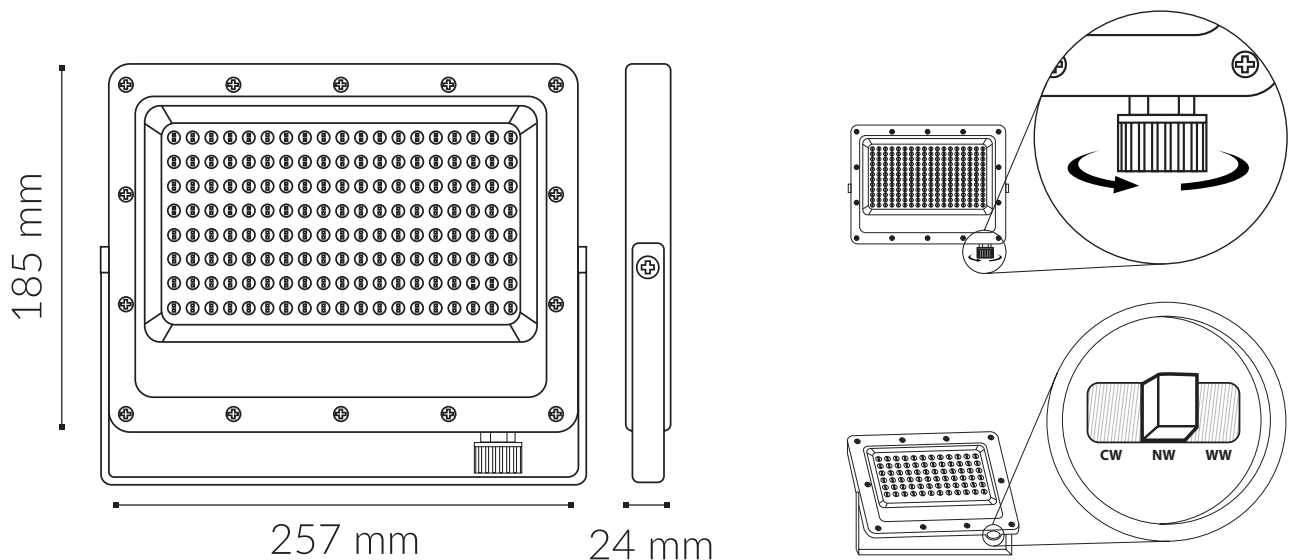
## PHYSICAL DATA

<b>Housing</b>	
Material:	Aluminum
Finish:	Gray
<b>Optical</b>	
Material:	Polycarbonate (PC)
Finish:	Transparent
<b>Weight</b>	
Weight:	0,60 kg

## ENERGY EFFICIENCY 2023(UE-2019/2015)

F

## DIMENSIONS



**Directiva EMC 2014/30/EU ELECTROMAGNETIC COMPATIBILIT**

- EN IEC 55015** Limits and methods of measurement of radio disturbance characteristics of electrical lighting and similar equipment.
- EN IEC 61000-3-2** Electromagnetic compatibility (EMC) - Part 3-2: Limits - Limits for harmonic current emissions (equipment input current =16 A per phase).
- EN 61000-3-3** Electromagnetic compatibility (EMC) - Part 3-3: Limits - Limitation of voltage changes, voltage fluctuations and flicker in public low-voltage supply systems, for equipment with rated current  $\leq 16$  A per phase and not subject to conditional connection.
- EN 61547** Equipment for general lighting purposes - EMC immunity requirements.

**Directiva LVD 2014/35/EU LOW VOLTAGE**

- EN 60598-2-5** Luminaires. Part 2-5: Particular requirements. Floodlights.
- EN 60598-1** Luminaires. Part 1: General requirements and tests.

**RoHS Directive 2011/65/EU and Delegated Directive (EU) 2015/863**  
Determination of Certain Substances in Electrotechnical Products.

- IEC 62321-1**      **IEC 62321-1-2**
- IEC 62321-3-1**    **IEC 62321-4**
- IEC 62321-6**      **IEC 62321-7-1**
- IEC 62321-7-2**    **IEC 62321-8**

