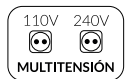
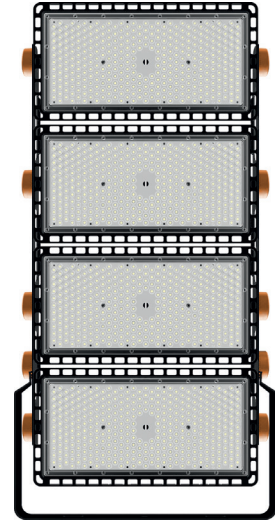


5610000490NW

GERIÓN MODULAR LED FLOODLIGHT 1000W 4000K 90°

GERIÓN modular LED floodlight for outdoor use, 1000W power and 143000lm luminous flux. Equipped with 1344pcs Lumileds LED chips and MOSO MNC-240 series driver, with 10kV surge protection. 90° symmetrical optical opening and colour temperature 4000K. IP67 protection rating against external elements and IK10 mechanical impact resistance rating. Aluminium body, zinc-plated steel fixings and polycarbonate lenses.



PRODUCT SPECIFICATIONS

| | |
|-----------------|------------------------|
| Item code: | 5610000490NW |
| Description: | Modular LED floodlight |
| N.º of modules: | 4 |
| EAN13 code: | 8435724901685 |

ELECTRICAL DATA

| | |
|------------------------------|--------------------|
| Power: | 1000w |
| Voltage: | 90-305vac |
| Frequency: | 50-60 Hz |
| Power factor: | 0,97 |
| LED chip brand: | Lumileds |
| LED chip model: | SMD 2835 |
| N.º LED chip: | 1344pcs |
| ENEC certification: | YES |
| Dimmable: | NOT |
| Driver model: | MOSO serie MNC 240 |
| Driver Protection: | OVP, SCP, OPP, OTP |
| Overvoltage protection: | 10kv |
| Optional: | 20kv |
| Electrical insulation class: | CLASS I |
| Connection: | L/N+TT |

LUMINOUS DATA

| | |
|--|-------------|
| Color temperature: | 4000K |
| Luminous efficiency: | 143 lm/w |
| Lumens: | 143000lm |
| Beam angle: | 90° |
| Luminous distribution: | Symmetrical |
| Color rendering index: | >80 |
| Luminous flux maintenance: | L95B10 |
| Flicker index: | ≤1,0 |
| SVM (Stroboscopic Visibility Measure): | ≤0,4 |
| Flicker free: | YES |

TECHNICAL DATA

| | |
|--------------------------|---|
| Protection rating: | IP67 (dust-tight and temporarily submersible in water up to 1?m for 30 minutes) |
| Impact rating: | IK10 (20J) |
| Operating temperature: | -20°~50° |
| Mounting type: | Surface |
| Oscillation of the lira: | 120° |
| Goniometer: | YES |

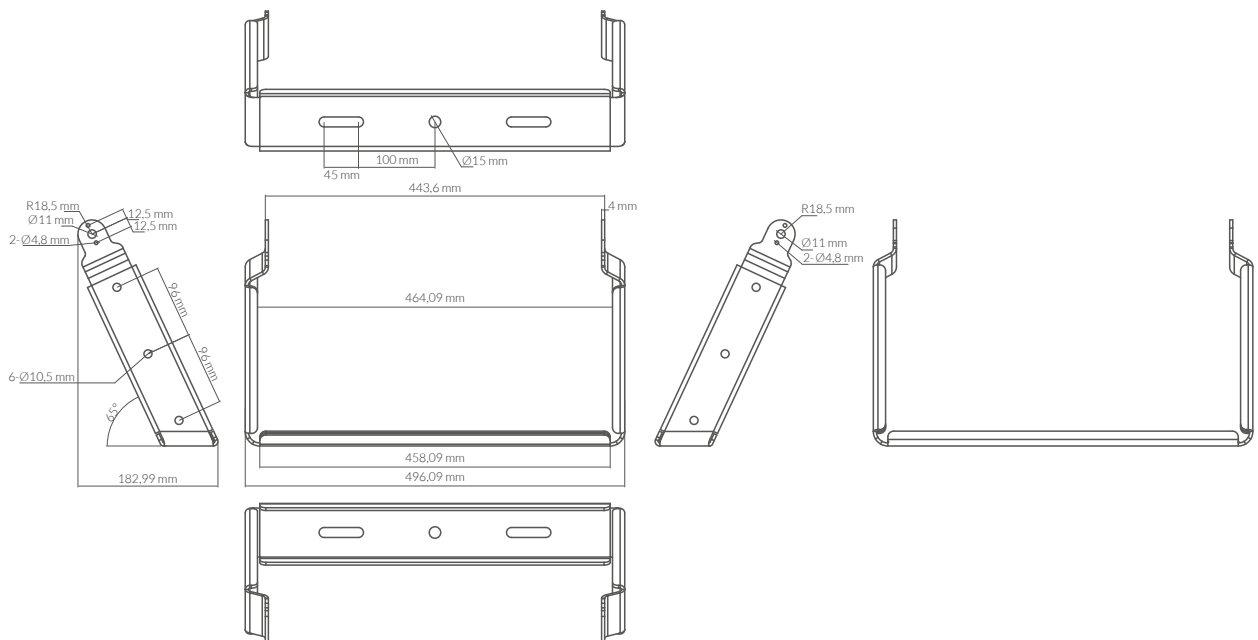
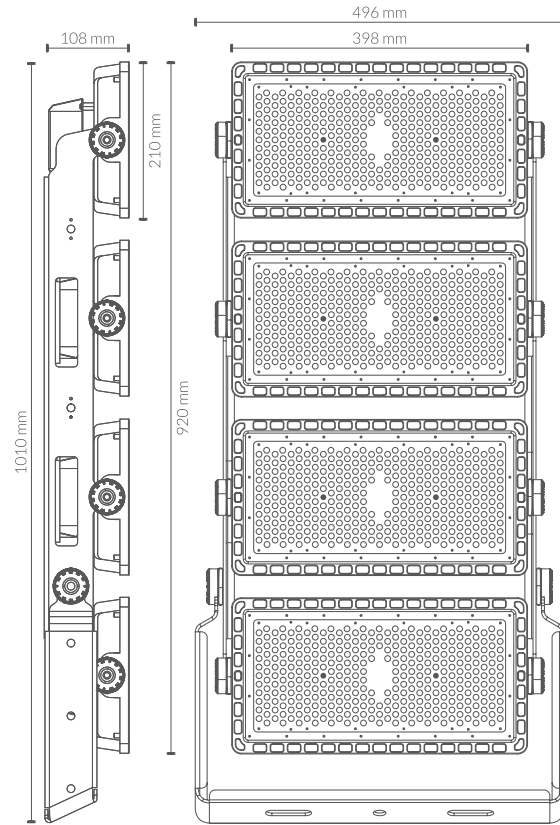
AVERAGE LIFESPAN

| | |
|-------------------|--------------|
| Working hours: | 70000 hrs |
| Switching cycles: | 40000 ON/OFF |

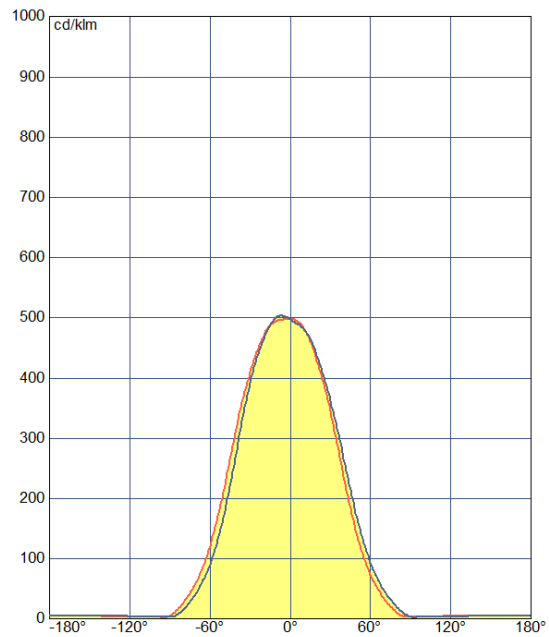
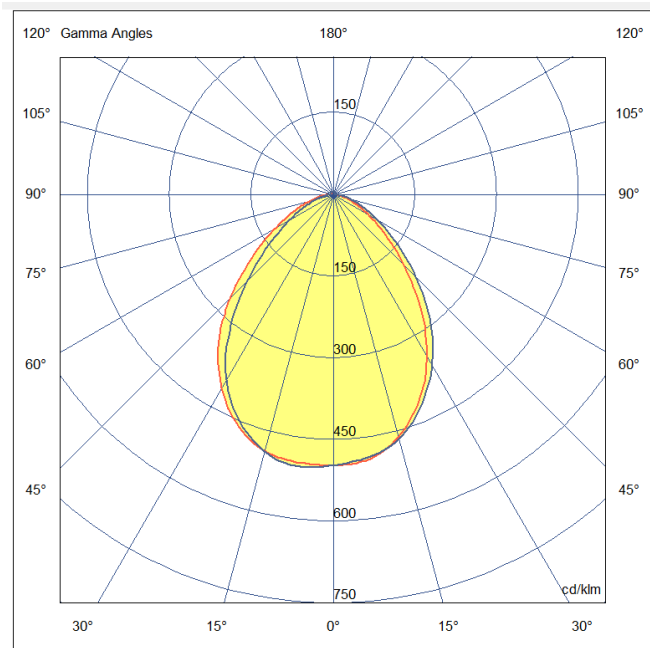
PHYSICAL DATA

| | |
|-----------------------------|------------------------------|
| Housing | |
| Material: | Aluminum |
| Finish: | Black |
| Yoke and side plates | |
| Material: | Galvanized zinc-coated Steel |
| Finish: | Black |
| Optical | |
| Material: | Polycarbonate |
| Finish: | Transparent |

DIMENSIONS



LUMINOUS INTENSITY DISTRIBUTION CURVE



CERTIFICATIONS

CE & ROHS

EMC directive 2014/30/EU ELECTROMAGNETIC COMPATIBILIT

- EN IEC 55015** Limits and methods of measurement of radio disturbance characteristics of electrical lighting and similar equipment.
- EN IEC 61000-3-2** Electromagnetic compatibility (EMC) - Part 3-2: Limits - Limits for harmonic current emissions (equipment input current =16 A per phase).
- EN 61000-3-3** Electromagnetic compatibility (EMC) - Part 3-3: Limits - Limitation of voltage changes, voltage fluctuations and flicker in public low-voltage supply systems, for equipment with rated current ≤ 16 A per phase and not subject to conditional connection.
- EN 61547** Equipment for general lighting purposes - EMC immunity requirements.

LVD directive 2014/35/EU LOW VOLTAGE

- EN 60598-1** Luminaires - Part 1: General requirements and tests.
- EN IEC 60598-2-1** Luminaires - Part 2-1: Particular requirements - Fixed general purpose luminaires

RoHS Directive 2011/65/EU and Delegated Directive (EU) 2015/863

Determination of Certain Substances in Electrotechnical Products.

- IEC 62321-4** **IEC 62321-5**
- IEC 62321-6** **IEC 62321-7-2**
- IEC 62321-8**

