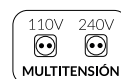
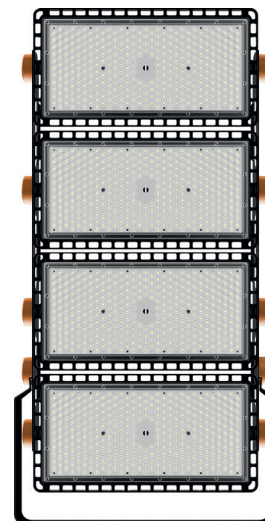


**5610000460CW**

## GERIÓN MODULAR LED FLOODLIGHT 1000W 5000K 60°

GERIÓN modular LED floodlight for outdoor use, 1000W power and 145000lm luminous flux. Equipped with 1344pcs Lumileds LED chips and MOSO MNC-240 series driver, with 10kV surge protection. 60° symmetrical optical opening and colour temperature 5000K. IP67 protection rating against external elements and IK10 mechanical impact resistance rating. Aluminium body, zinc-plated steel fixings and polycarbonate lenses.



### PRODUCT SPECIFICATIONS

Item code:	5610000460CW
Description:	Modular LED floodlight
N.º of modules:	4
EAN13 code:	8435724901692

### ELECTRICAL DATA

Power:	1000w
Voltage:	90-305vac
Frequency:	50-60 Hz
Power factor:	0,97
LED chip brand:	Lumileds
LED chip model:	SMD 2835
N.º LED chip:	1344pcs
ENEC certification:	YES
Dimmable:	NOT
Driver model:	MOSO serie MNC 240
Driver Protection:	OVP, SCP, OPP, OTP
Overvoltage protection:	10kv
Optional:	20kv
Electrical insulation class:	CLASS I
Connection:	L/N+TT

## LUMINOUS DATA

Color temperature:	5000K
Luminous efficiency:	145 lm/w
Lumens:	145000lm
Beam angle:	60°
Luminous distribution:	Symmetrical
Color rendering index:	>80
Luminous flux maintenance:	L95B10
Flicker index:	≤1,0
SVM (Stroboscopic Visibility Measure):	≤0,4
Flicker free:	YES

## TECHNICAL DATA

Protection rating:	IP67 (dust-tight and temporarily submersible in water up to 1?m for 30 minutes)
Impact rating:	IK10 (20J)
Operating temperature:	-20°~50°
Mounting type:	Surface
Oscillation of the lira:	120°
Goniometer:	YES

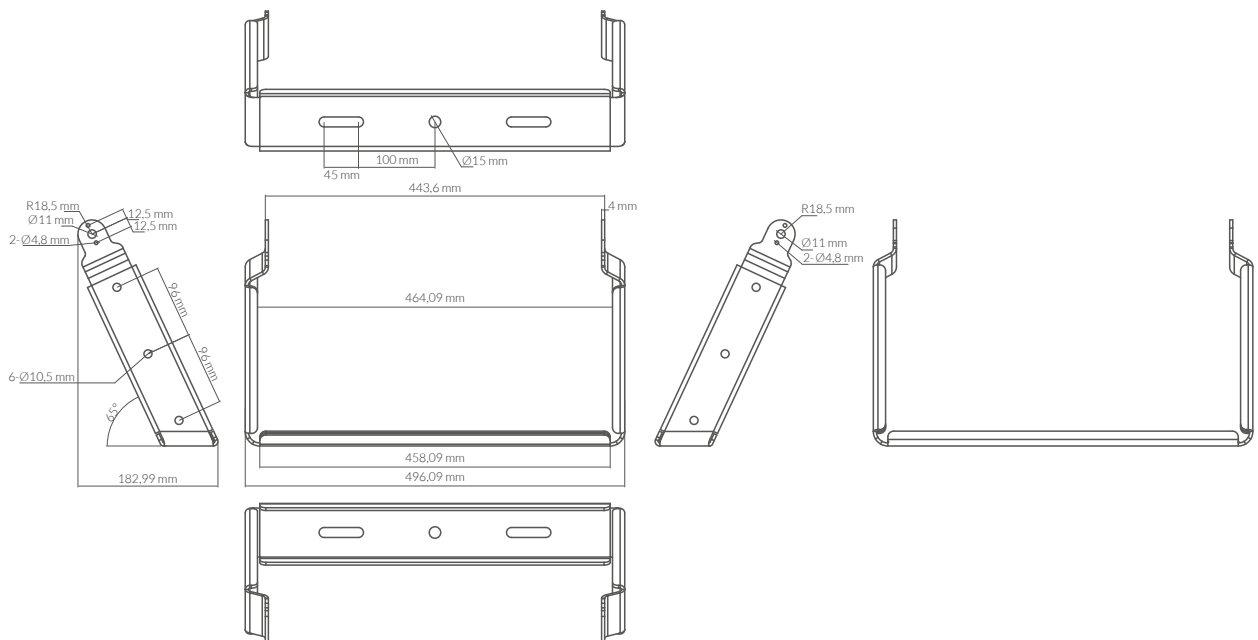
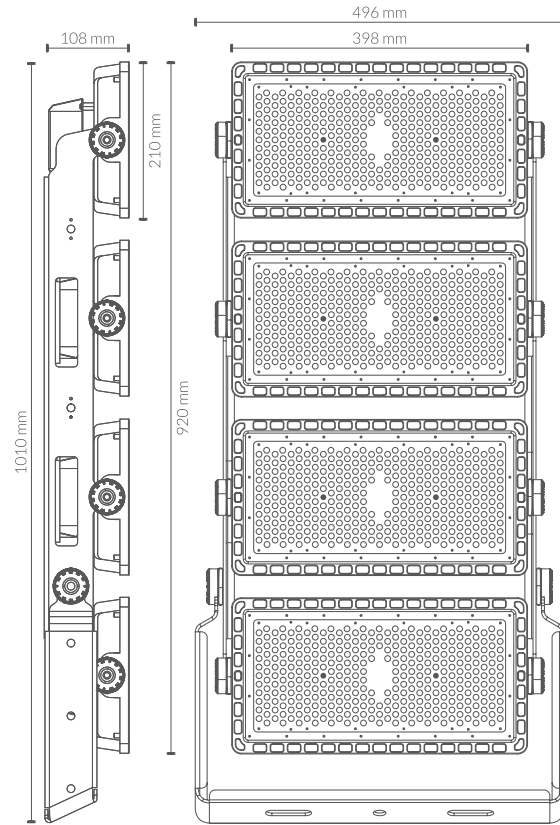
## AVERAGE LIFESPAN

Working hours:	70000 hrs
Switching cycles:	40000 ON/OFF

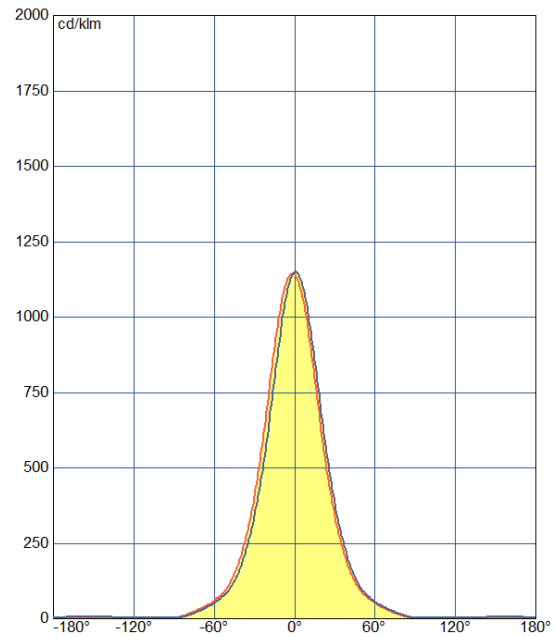
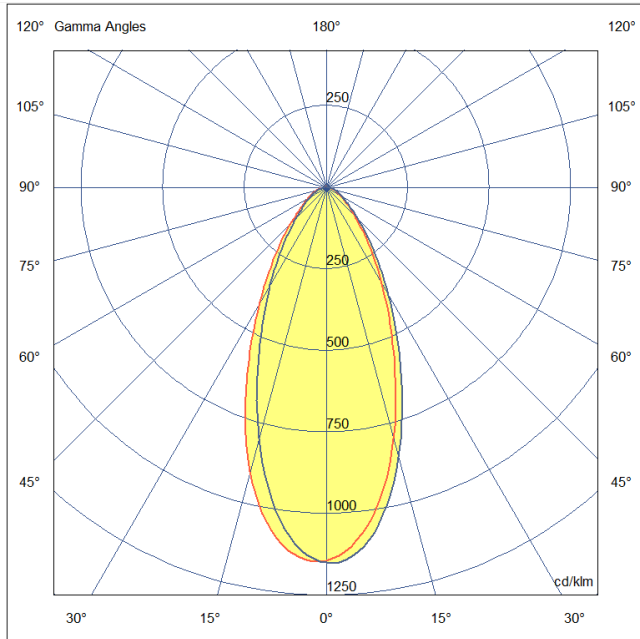
## PHYSICAL DATA

<b>Housing</b>	
Material:	Aluminum
Finish:	Black
<b>Yoke and side plates</b>	
Material:	Galvanized zinc-coated Steel
Finish:	Black
<b>Optical</b>	
Material:	Polycarbonate
Finish:	Transparent

# DIMENSIONS



## LUMINOUS INTENSITY DISTRIBUTION CURVE



## CERTIFICATIONS

CE & ROHS

### EMC directive 2014/30/EU ELECTROMAGNETIC COMPATIBILIT

- EN IEC 55015** Limits and methods of measurement of radio disturbance characteristics of electrical lighting and similar equipment.
- EN IEC 61000-3-2** Electromagnetic compatibility (EMC) - Part 3-2: Limits - Limits for harmonic current emissions (equipment input current =16 A per phase).
- EN 61000-3-3** Electromagnetic compatibility (EMC) - Part 3-3: Limits - Limitation of voltage changes, voltage fluctuations and flicker in public low-voltage supply systems, for equipment with rated current  $\leq 16$  A per phase and not subject to conditional connection.
- EN 61547** Equipment for general lighting purposes - EMC immunity requirements.

### LVD directive 2014/35/EU LOW VOLTAGE

- EN 60598-1** Luminaires - Part 1: General requirements and tests.
- EN IEC 60598-2-1** Luminaires - Part 2-1: Particular requirements - Fixed general purpose luminaires

### RoHS Directive 2011/65/EU and Delegated Directive (EU) 2015/863

Determination of Certain Substances in Electrotechnical Products.

- IEC 62321-4**            **IEC 62321-5**
- IEC 62321-6**            **IEC 62321-7-2**
- IEC 62321-8**

