

## 562000NW

### GADES LED FLOODLIGHT 20W 4000K

GADES LED floodlight for outdoor use, 20W power and luminous flux of 1760lm. 120° symmetrical optical beam angle and 4000K color temperature. IP65 protection rating against external elements and IK08 mechanical impact resistance rating. Made of white finish aluminum.



#### PRODUCT SPECIFICATIONS

|              |                                |
|--------------|--------------------------------|
| Item code:   | 562000NW                       |
| Description: | LED floodlight for outdoor use |
| EAN13 code:  | 8436568448725                  |

#### ELECTRICAL DATA

|                              |            |
|------------------------------|------------|
| Power:                       | 20w        |
| Voltage:                     | 220-240vac |
| Frequency:                   | 50-60 Hz   |
| Power factor:                | 0,9        |
| Dimmable:                    | NOT        |
| Electrical insulation class: | CLASS I    |
| Connection:                  | L/N+TT     |

#### LUMINOUS DATA

|   |             |
|---|-------------|
| Color temperature:                      | 4000K       |
| Luminous efficiency:                    | 88lm/w      |
| Lumens:                                 | 1760lm      |
| LED chip model:                         | SMD 2835    |
| Beam angle:                             | 120°        |
| Luminous distribution:                  | Symmetrical |
| Color rendering index:                  | >80         |
| Color rendering index, minimum:         | 80          |
| Color rendering index, maximum:         | 85          |
| Standard desviation of colour matching: | <4          |
| Luminous flux maintenance:              | L90         |
| Flicker index:                          | ≤1,0        |
| SVM (Stroboscopic Visibility Measure):  | ≤0,9        |

## TECHNICAL DATA

|                        |  |
|------------------------|--|
| Protection rating:     | IP65 (Dust-tight equipment and protected against water jets) |
| Impact rating:         | IK08 (5J)  |
| Operating temperature: | -20°~50°   |
| Mounting type:         | Surface  |

## AVERAGE LIFESPAN

|                   |              |
|-------------------|--------------|
| Working hours:    | 45000 hrs    |
| Switching cycles: | 35000 ON/OFF |

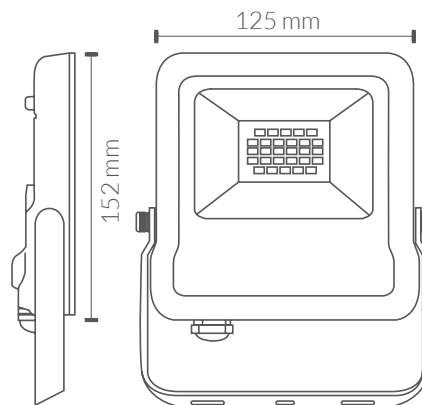
## PHYSICAL DATA

|                 |             |
|-----------------|-------------|
| <b>Housing</b>  |             |
| Material:       | Aluminum    |
| Finish:         | White       |
| <b>Diffuser</b> |             |
| Material:       | Glass       |
| Finish:         | Transparent |
| <b>Weight</b>   |             |
| Weight:         | 0,32 kg     |

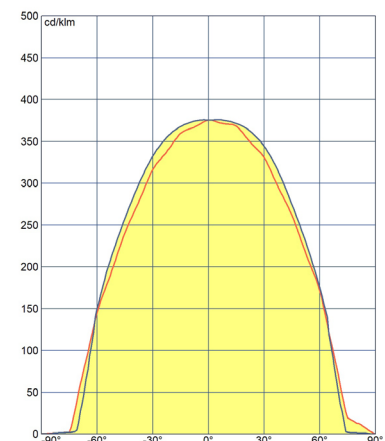
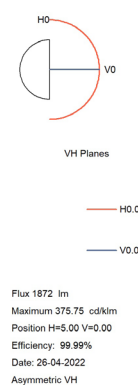
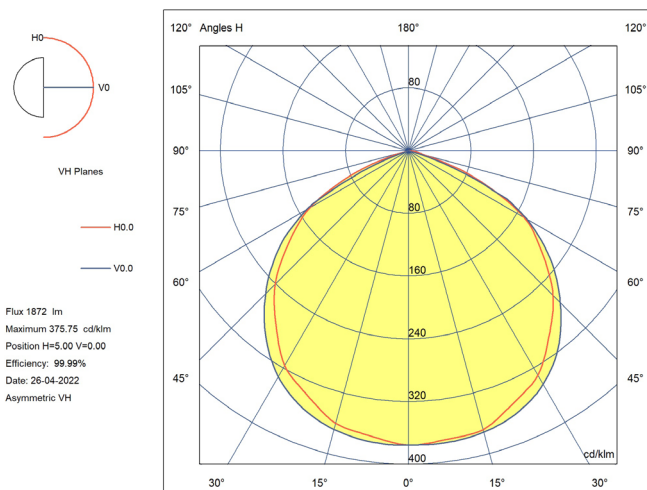
## ENERGY EFFICIENCY 2023(UE-2019/2015)

F

## DIMENSIONS



## LUMINOUS INTENSITY DISTRIBUTION CURVE



**EMC directive 2014/30/EU ELECTROMAGNETIC COMPATIBILIT**

- EN IEC 55015** Limits and methods of measurement of radio disturbance characteristics of electrical lighting and similar equipment.
- EN IEC 61000-3-2** Electromagnetic compatibility (EMC) - Part 3-2: Limits - Limits for harmonic current emissions (equipment input current =16 A per phase).
- EN 61000-3-3** Electromagnetic compatibility (EMC) - Part 3-3: Limits - Limitation of voltage changes, voltage fluctuations and flicker in public low-voltage supply systems, for equipment with rated current  $\leq 16$  A per phase and not subject to conditional connection.
- EN 61547** Equipment for general lighting purposes - EMC immunity requirements.

**LVD directive 2014/35/EU LOW VOLTAGE**

- EN 60598-2-5** Luminaires - Part 2-5: Particular requirements - Floodlights
- EN 60598-1** Luminaires - Part 1: General requirements and tests.
- EN 62471** Photobiological safety of lamps and lamp system
- EN 62493** Assessment of lighting equipment related to human exposure to electromagnetic Field
- EN 62031:** LED modules for general lighting. Safety specifications
- EN 61347-1** Lamp controlgear - Part 1: General and safety requirements
- EN 61347-2-13** Lamp controlgear - Part 2-13: Particular requirements for d.c. or a.c. supplied electronic controlgear for LED modules

**RoHS Directive 2011/65/EU and Delegated Directive (EU) 2015/863**

Determination of Certain Substances in Electrotechnical Products.

- IEC 62321-3-1**      **IEC 62321-5**
- IEC 62321-4**      **IEC 62321-6**
- IEC 62321-7-1**    **IEC 62321-7-2**
- IEC 62321-8**

