

TECHNICAL DATA SHEET



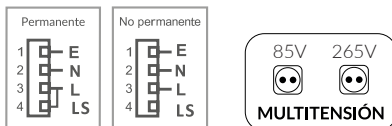
562004CW

VESTA LED EMERGENCY FLOODLIGHT 2400LM PERMANENT AND NON-PERMANENT FUNCTION

Vesta LED emergency floodlight with Permanent and Non-permanent Function, and AUTO-TEST function. 20W power with 60 minutes autonomy and 2400lm luminous flux at 5700K colour temperature. IP66 protection rating against external elements and IK09 mechanical impact resistance rating. Grey aluminium body with transparent polycarbonate diffuser.



ESQUEMA DE CONEXIÓN



PRODUCT SPECIFICATIONS

Item code:	562004CW
Description:	Vesta LED emergency floodlight
EAN13 code:	

ELECTRICAL DATA

Power:	20w
Voltage:	85/265 V AC
Frequency:	50/60Hz
Power factor:	0,9
Driver brand:	DONE DL20W C600
LED chip model:	SMD2835
Dimmable:	NOT
ENEC certified:	YES
Electrical insulation class:	CLASS I
Connection:	L+N+TT
Function:	Permanent and Non-permanent Function
Auto-Test Function:	YES

LUMINOUS DATA

Color temperature:	5700K
Luminous efficiency:	120lm/w
Lumens:	2400lm

N.º LED chip:	75pcs
Beam angle:	90°
Luminous distribution	Symmetrical
Color rendering index:	>80
Standard desviation of colour matching:	<4
Luminous flux maintenance:	L90
Flicker index:	≤0,1

TECHNICAL DATA

Protection rating:	IP66 (Dust-tight equipment and protected against powerful water jets)
Impact rating:	IK09 (10J)
Operating temperature:	-20°~50°
Mounting type:	Surface
Battery:	LI-ON 11.1/2AH
Replaceable battery:	NOT
Autonomy:	60 minutes

AVERAGE LIFESPAN

Working hours:	45000 h
Switching cycles:	35000 ON/OFF

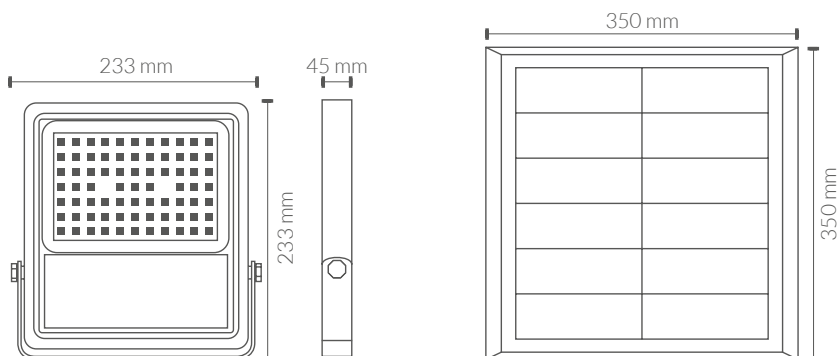
PHYSICAL DATA

Housing	
Material:	Aluminum
Finish:	Gray
Diffuser	
Material:	Polycarbonate
Acabado:	Transparent
Weight	
Weight:	kg

ENERGY EFFICIENCY 2023(UE-2019/2015)

F

DIMENSIONS



AUTO-TEST FUNCTION

FUNCTIONAL TEST:

Once a week, a self-test is carried out lasting at least 2 minutes to check that the luminaire operates correctly via the battery. If there is any problem, it will be indicated by the flashing of the red LED indicator.

AUTONOMY TEST:

Once a year, a self-test is carried out to verify that the luminaire's autonomy is equal to or greater than the nominal value. This is checked by fully discharging the battery and then recharging it. If any problem occurs, it will be indicated by the flashing of the red LED indicator.

CERTIFICATIONS

