

565001SWW

LED FLOODLIGHT WITH SENSOR 50W 3000K 120°

Outdoor LED floodlight with PIR sensor, 50W power and 4250lm luminous flux. 120° symmetrical optical opening with 3000K colour temperature. IP65 protection rating against external elements and IK08 mechanical impact resistance rating. Black finish aluminium body.



PRODUCT SPECIFICATIONS

Item code:	565001SWW
Description:	Outdoor LED floodlight with motion sensor
EAN13 code:	8436568444598

ELECTRICAL DATA

Power:	50w
Voltage:	220-240vac
Frequency:	50-60 Hz
Power factor:	0,7
Dimmable:	NOT
Electrical insulation class:	CLASS I
Connection:	L/N+TT

LUMINOUS DATA

Color temperature:	3000K
Luminous efficiency:	85lm/w
Lumens:	4250lm
LED chip brand:	San'an
LED chip model:	SMD 2835
Beam angle:	120°
Luminous distribution:	Symmetrical
Color rendering index:	>80
Standard desviation of colour matching:	<6
Luminous flux maintenance:	L90B10
Flicker index:	≤1,0
SVM (Stroboscopic Visibility Measure):	≤0,4
Flicker free:	YES

MOTION SENSOR DATA

Sensor type:	PIR
Work mode:	ON/OFF Function
Configuration options:	YES
Detection angle:	150°
Hold time:	7sg- 10min
Light sensor:	10-2000lux
Detection range:	Maximum 6 mts
Mounting height:	Maximum 6 mts

TECHNICAL DATA

Protection rating:	IP65 (Dust-tight equipment and protected against water jets)
Impact rating:	IK08 (5J)
Operating temperature:	-25°~45°
Mounting type:	Surface

AVERAGE LIFESPAN

Working hours:	35000 hrs
Switching cycles:	25000 ON/OFF

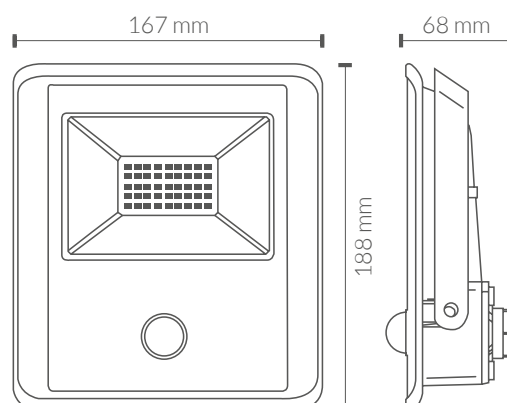
PHYSICAL DATA

Housing	
Material:	Aluminum
Finish:	Black
Type cover	
Material:	Glass
Finish:	Transparent
Weight	
Weight:	0,73 kg

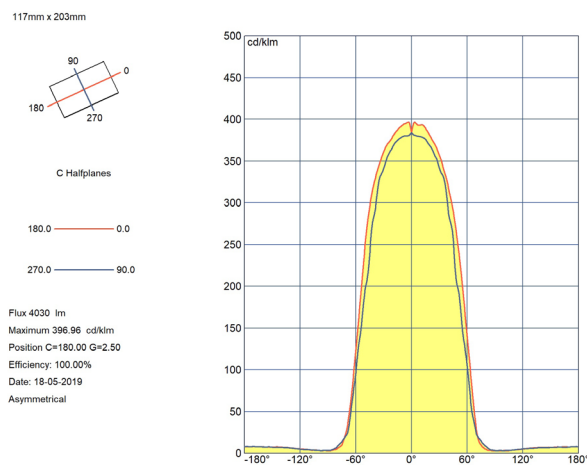
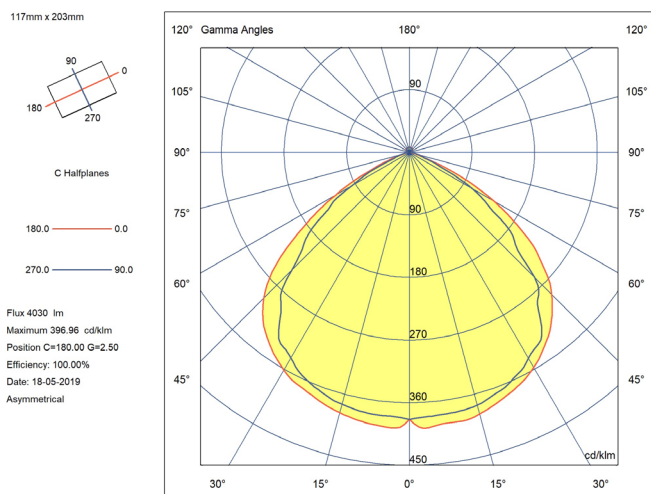
ENERGY EFFICIENCY 2023(UE-2019/2015)

F

DIMENSIONS



LUMINOUS INTENSITY DISTRIBUTION CURVE



CERTIFICATIONS

CE & ROHS

EMC directive 2014/30/EU ELECTROMAGNETIC COMPATIBILIT

- EN IEC 55015** Limits and methods of measurement of radio disturbance characteristics of electrical lighting and similar equipment.
- EN IEC 61000-3-2** Electromagnetic compatibility (EMC) - Part 3-2: Limits - Limits for harmonic current emissions (equipment input current =16 A per phase).
- EN 61000-3-3** Electromagnetic compatibility (EMC) - Part 3-3: Limits - Limitation of voltage changes, voltage fluctuations and flicker in public low-voltage supply systems, for equipment with rated current ≤ 16 A per phase and not subject to conditional connection.
- EN 61547** Equipment for general lighting purposes - EMC immunity requirements.

LVD directive 2014/35/EU LOW VOLTAGE

- EN 60598-2-5** Luminaires. Part 2-5: Particular requirements. Floodlights..
- EN 60598-1** Luminaires. Part 1: General requirements and tests.
- EN 62493** Assessment of lighting equipment in relation to human exposure to electromagnetic fields.

RoHS Directive 2011/65/EU and Delegated Directive (EU) 2015/863

Determination of Certain Substances in Electrotechnical Products.

- IEC62321-1** **IEC 62321-3-1**
- IEC 62321-4** **IEC 62321-5**
- IEC 62321-6** **IEC 62321-7-2**
- IEC 62321-8**

