

## 561001SNW

### LED FLOODLIGHT WITH SENSOR 10W 4000K 120°

Outdoor LED floodlight with PIR sensor, 10W power and 880 lm luminous flux. 120° symmetrical optical opening with 4000K colour temperature. IP65 protection rating against external elements and IK08 mechanical impact resistance rating. Black finish aluminium body.



#### PRODUCT SPECIFICATIONS

|              |   |
|--------------|---|
| Item code:   | 561001SNW                                 |
| Description: | Outdoor LED floodlight with motion sensor |
| EAN13 code:  | 8436568448756                             |

#### ELECTRICAL DATA

|                              |            |
|------------------------------|------------|
| Power:                       | 10w        |
| Voltage:                     | 220-240vac |
| Frequency:                   | 50-60 Hz   |
| Power factor:                | 0,7        |
| Dimmable:                    | NOT        |
| Electrical insulation class: | CLASS I    |
| Connection:                  | L/N+TT     |

#### LUMINOUS DATA

|   |             |
|---|-------------|
| Color temperature:                      | 4000K       |
| Luminous efficiency:                    | 88lm/w      |
| Lumens:                                 | 880lm       |
| LED chip brand:                         | San'an      |
| LED chip model:                         | SMD 2835    |
| Beam angle:                             | 120°        |
| Luminous distribution:                  | Symmetrical |
| Color rendering index:                  | >80         |
| Standard desviation of colour matching: | <6          |
| Luminous flux maintenance:              | L90B10      |
| Flicker index:                          | ≤1,0        |
| SVM (Stroboscopic Visibility Measure):  | ≤0,4        |
| Flicker free:                           | YES         |

## MOTION SENSOR DATA

|                        |                 |
|------------------------|-----------------|
| Sensor type:           | PIR             |
| Work mode:             | ON/OFF Function |
| Configuration options: | YES             |
| Detection angle:       | 150°            |
| Hold time:             | 7sg- 10min      |
| Light sensor:          | 10-2000lux      |
| Detection range:       | Maximum 6 mts   |
| Mounting height:       | Maximum 6 mts   |

## TECHNICAL DATA

|                        |  |
|------------------------|--|
| Protection rating:     | IP65 (Dust-tight equipment and protected against water jets) |
| Impact rating:         | IK08 (5J)  |
| Operating temperature: | -25°~45°   |
| Mounting type:         | Surface  |

## AVERAGE LIFESPAN

|                   |              |
|-------------------|--------------|
| Working hours:    | 35000 hrs    |
| Switching cycles: | 25000 ON/OFF |

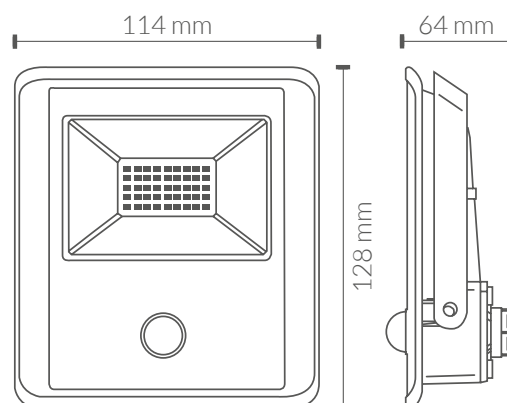
## PHYSICAL DATA

|                   |             |
|-------------------|-------------|
| <b>Housing</b>    |             |
| Material:         | Aluminum    |
| Finish:           | Black       |
| <b>Type cover</b> |             |
| Material:         | Glass       |
| Finish:           | Transparent |
| <b>Weight</b>     |             |
| Weight:           | 0,35 kg     |

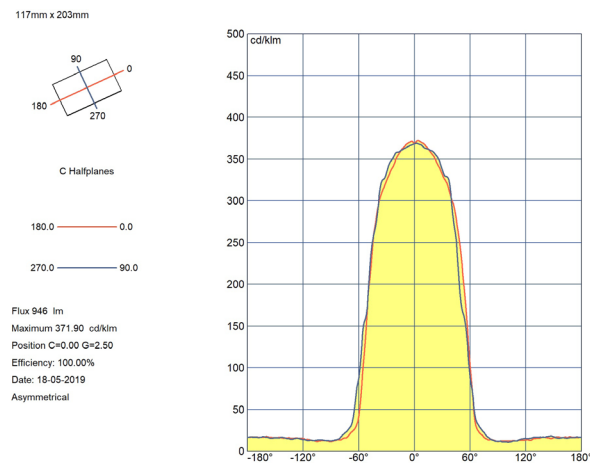
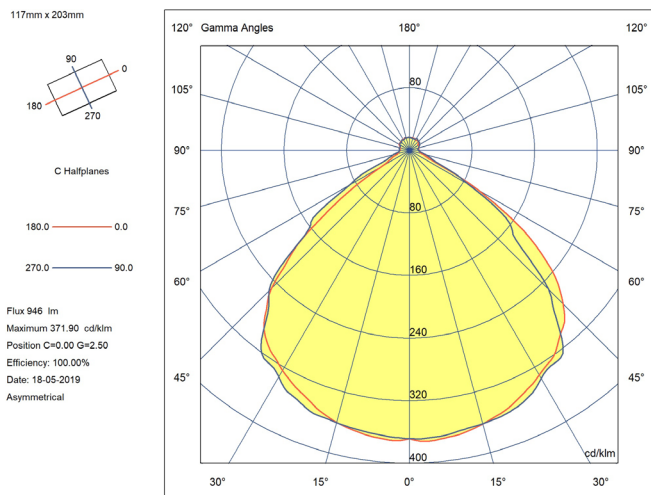
## ENERGY EFFICIENCY 2023(UE-2019/2015)

F

## DIMENSIONS



## LUMINOUS INTENSITY DISTRIBUTION CURVE



## CERTIFICATIONS

CE & ROHS

### EMC directive 2014/30/EU ELECTROMAGNETIC COMPATIBILIT

- EN IEC 55015** Limits and methods of measurement of radio disturbance characteristics of electrical lighting and similar equipment.
- EN IEC 61000-3-2** Electromagnetic compatibility (EMC) - Part 3-2: Limits - Limits for harmonic current emissions (equipment input current =16 A per phase).
- EN 61000-3-3** Electromagnetic compatibility (EMC) - Part 3-3: Limits - Limitation of voltage changes, voltage fluctuations and flicker in public low-voltage supply systems, for equipment with rated current  $\leq 16$  A per phase and not subject to conditional connection.
- EN 61547** Equipment for general lighting purposes - EMC immunity requirements.

### LVD directive 2014/35/EU LOW VOLTAGE

- EN 60598-2-5** Luminaires. Part 2-5: Particular requirements. Floodlights..
- EN 60598-1** Luminaires. Part 1: General requirements and tests.
- EN 62493** Assessment of lighting equipment in relation to human exposure to electromagnetic fields.

### RoHS Directive 2011/65/EU and Delegated Directive (EU) 2015/863

Determination of Certain Substances in Electrotechnical Products.

- IEC62321-1**            **IEC 62321-3-1**
- IEC 62321-4**            **IEC 62321-5**
- IEC 62321-6**            **IEC 62321-7-2**
- IEC 62321-8**

