

561003012CW

12/24VDC LED FLOODLIGHT 100W 5700K 120°

LED floodlight for outdoor use with 12-24VDC/12-24VAC input voltage, 100W power and luminous flux of 1100lm. Symmetrical 120° optical beam angle and color temperature of 5700K. Protection rating against external elements IP65 and mechanical impact resistance rating IK08. Housing made of aluminum with anti-corrosion black finish, and transparent glass diffuser.



PRODUCT SPECIFICATIONS

Item code:	561003012CW
Description:	Outdoor LED floodlight
EAN13 code:	

ELECTRICAL DATA

Power:	100W
Voltage:	12-24vdc / 12-24vac
Power factor:	0,9
Dimmable:	NOT
Electrical insulation class:	Class III

LUMINOUS DATA

Color temperature:	5700K
Luminous efficiency:	110 lm/w
Lumens:	11000lm
LED chip model:	SMD 2835
N° of LED chip:	x200
Beam angle:	120°
Luminous distribution:	Symmetrical
Color rendering index:	>80
Standard desviation of colour matching:	<5
Flicker index:	≤0,9
SVM (Stroboscopic Visibility Measure):	≤0,4
Flicker index:	YES

TECHNICAL DATA

Protection rating:	IP65 (Dust-tight equipment and protected against water jets)
Impact rating:	IK08 (5J)

Operating temperature:	-25°~45°
Mounting type:	Surface

AVERAGE

Working hours:	35000 hrs
Switching cycles:	25000 ON/OFF

PHYSICAL DATA

Housing

Material:	Aluminum
Finish:	Gray
Type of paint:	Anticorrosive paint

Type cover

Material:	Glass
Finish:	Transparent

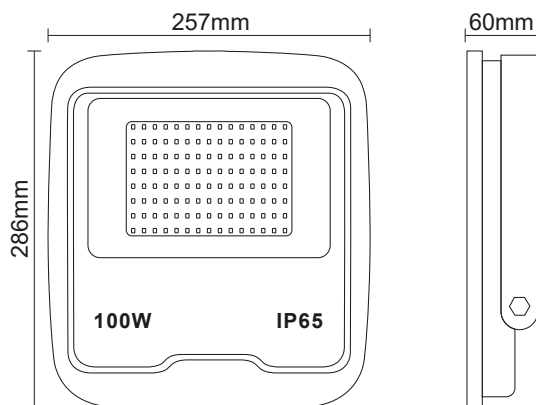
Weight

Weight:	2,05 kg
---------	---------

ENERGY EFFICIENCY 2023(UE-2019/2015)

F

DIMENSIONS



CERTIFICATIONS

CE & ROHS

EMC directive 2014/30/EU ELECTROMAGNETIC COMPATIBILIT

- EN IEC 55015 Limits and methods of measurement of radio disturbance characteristics of electrical lighting and similar equipment.
- EN 61547 Equipment for general lighting purposes - EMC immunity requirements.

RoHS Directive 2011/65/EU and Delegated Directive (EU) 2015/863 Determination of Certain Substances in Electrotechnical Products.

- IEC 62321-4 IEC 62321-5
- IEC 62321-6 IEC 62321-7-2
- IEC 62321-8

