

5515030NW

KADO LED FLOODLIGHT 150W 4000K

KADO LED floodlight for outdoor use, 150W power and luminous flux of 17700lm. Equipped with 216 LUMILEDS LED Chips, and Linear Driver with 4Kv surge protection. 90° symmetrical optical beam angle and 4000K color temperature. IP65 protection rating against external elements and IK09 mechanical impact resistance rating. Body made of grey finish aluminum and transparent polycarbonate lens.



PRODUCT SPECIFICATIONS

| | |
|--------------|--------------------------------|
| Item code: | 5515030NW |
| Description: | LED floodlight for outdoor use |
| EAN13 code: | 8435724902941 |

ELECTRICAL DATA

| | |
|------------------------------|---------------|
| Power: | 150w |
| Voltage: | 185-265vac |
| Frequency: | 50-60 Hz |
| Power factor: | 0,9 |
| Driver model: | Lineal Driver |
| Overvoltage protection: | 4 Kv |
| Dimmable: | NOT |
| Electrical insulation class: | CLASS I |
| Connection: | L/N+TT |

LUMINOUS DATA

| | |
|---------------------------------|-------------|
| Color temperature: | 4000K |
| Luminous efficiency: | 118lm/w |
| Lumens: | 17700lm |
| LED chip brand: | LUMILEDS |
| LED chip model: | SMD 2835 |
| N.º LED chip: | 216 pcs |
| Beam angle: | 90° |
| Luminous distribution: | Symmetrical |
| Color rendering index: | >80 |
| Color rendering index, minimum: | 80 |
| Color rendering index, maximum: | 85 |

| | |
|--|------|
| Standard deviation of colour matching: | <4 |
| Luminous flux maintenance: | L90 |
| Flicker index: | ≤1,0 |
| SVM (Stroboscopic Visibility Measure): | ≤0,9 |
| Flicker free: | YES |

TECHNICAL DATA

| | |
|------------------------|---|
| Protection rating: | IP65 (Dust-tight equipment and protected against water jets) |
| Impact rating: | IK09 (10J) |
| Operating temperature: | -20°~50° |
| Mounting type: | Surface |

AVERAGE LIFESPAN

| | |
|-------------------|---------------------|
| Working hours: | 45000 hrs |
| Switching cycles: | 35000 ON/OFF |

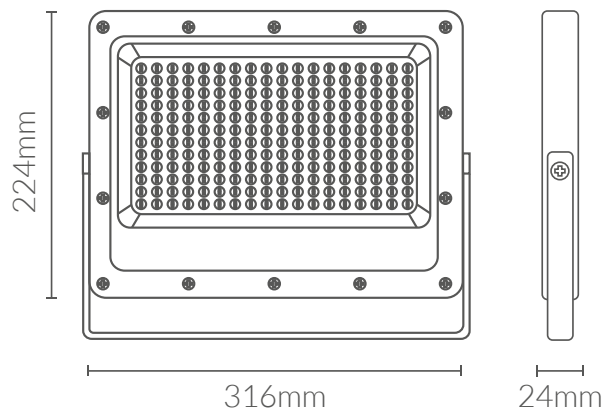
PHYSICAL DATA

| | |
|-----------------|---------------------------|
| Housing | |
| Material: | Aluminum |
| Finish: | Gray |
| Diffuser | |
| Material: | Polycarbonate (PC) |
| Finish: | Transparent |
| Weight | |
| Weight: | 0,94 kg |

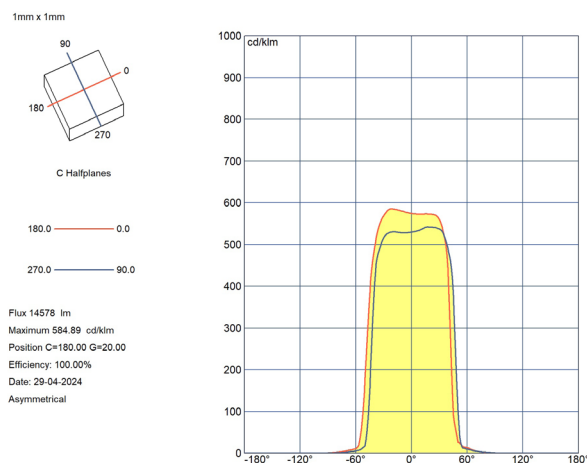
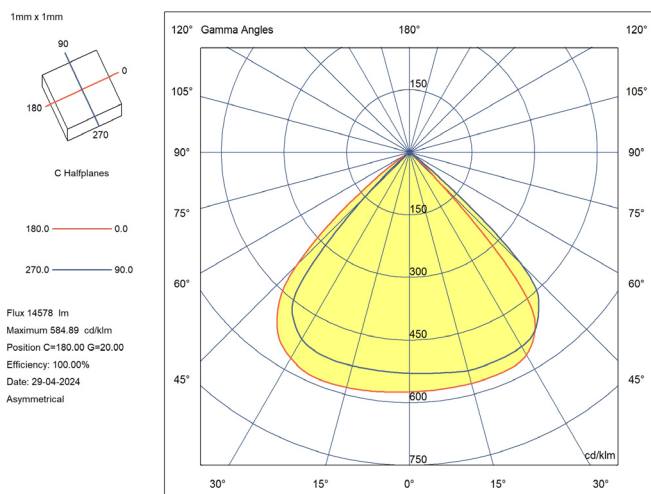
ENERGY EFFICIENCY 2023(UE-2019/2015)

F

DIMENSIONS



LUMINOUS INTENSITY DISTRIBUTION CURVE



CERTIFICATIONS

CE & ROHS

EMC directive 2014/30/EU ELECTROMAGNETIC COMPATIBILITY

- EN IEC 55015** Limits and methods of measurement of radio disturbance characteristics of electrical lighting and similar equipment.
- EN IEC 61000-3-2** Electromagnetic compatibility (EMC) - Part 3-2: Limits - Limits for harmonic current emissions (equipment input current =16 A per phase).
- EN 61000-3-3** Electromagnetic compatibility (EMC) - Part 3-3: Limits - Limitation of voltage changes, voltage fluctuations and flicker in public low-voltage supply systems, for equipment with rated current ≤ 16 A per phase and not subject to conditional connection.
- EN 61547** Equipment for general lighting purposes - EMC immunity requirements.

LVD directive 2014/35/EU LOW VOLTAGE

- EN 60598-2-5** Luminaires - Part 2-5: Particular requirements - Floodlights
- EN 60598-1** Luminaires - Part 1: General requirements and tests.

RoHS Directive 2011/65/EU and Delegated Directive (EU) 2015/863

Determination of Certain Substances in Electrotechnical Products.

- IEC 62321-1** **IEC 62321-1-2**
- IEC 62321-3-1** **IEC 62321-4**
- IEC 62321-6** **IEC 62321-7-1**
- IEC 62321-7-2** **IEC 62321-8**

