

## 5515030CW

### KADO LED FLOODLIGHT 150W 5700K

KADO LED floodlight for outdoor use, 150W power and luminous flux of 18000lm. Equipped with 216 LUMILEDS LED Chips, and Linear Driver with 4Kv surge protection. 90° symmetrical optical beam angle and 5700K color temperature. IP65 protection rating against external elements and IK09 mechanical impact resistance rating. Body made of grey finish aluminum and transparent polycarbonate lens.



#### PRODUCT SPECIFICATIONS

Item code:	5515030CW
Description:	LED floodlight for outdoor use
EAN13 code:	8435724902934

#### ELECTRICAL DATA

Power:	150w
Voltage:	185-265vac
Frequency:	50-60 Hz
Power factor:	0,9
Driver model:	Lineal Driver
Overvoltage protection:	4 Kv
Dimmable:	NOT
Electrical insulation class:	CLASS I
Connection:	L/N+TT

#### LUMINOUS DATA

Color temperature:	5700K
Luminous efficiency:	120lm/w
Lumens:	18000lm
LED chip brand:	LUMILEDS
LED chip model:	SMD 2835
N.º LED chip:	216 pcs
Beam angle:	90°
Luminous distribution:	Symmetrical
Color rendering index:	>80
Color rendering index, minimum:	80
Color rendering index, maximum:	85

Standard deviation of colour matching:	<4
Luminous flux maintenance:	L90
Flicker index:	≤1,0
SVM (Stroboscopic Visibility Measure):	≤0,9
Flicker free:	YES

## TECHNICAL DATA

Protection rating:	<b>IP65 (Dust-tight equipment and protected against water jets)</b>
Impact rating:	<b>IK09 (10J)</b>
Operating temperature:	<b>-20°~50°</b>
Mounting type:	<b>Surface</b>

## AVERAGE LIFESPAN

Working hours:	<b>45000 hrs</b>
Switching cycles:	<b>35000 ON/OFF</b>

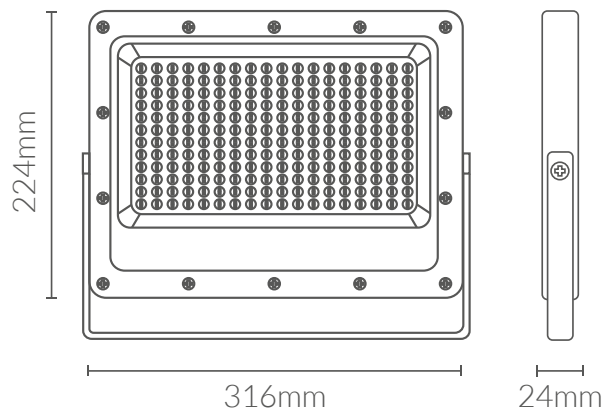
## PHYSICAL DATA

<b>Housing</b>	
Material:	<b>Aluminum</b>
Finish:	<b>Gray</b>
<b>Diffuser</b>	
Material:	<b>Polycarbonate (PC)</b>
Finish:	<b>Transparent</b>
<b>Weight</b>	
Weight:	<b>0,94 kg</b>

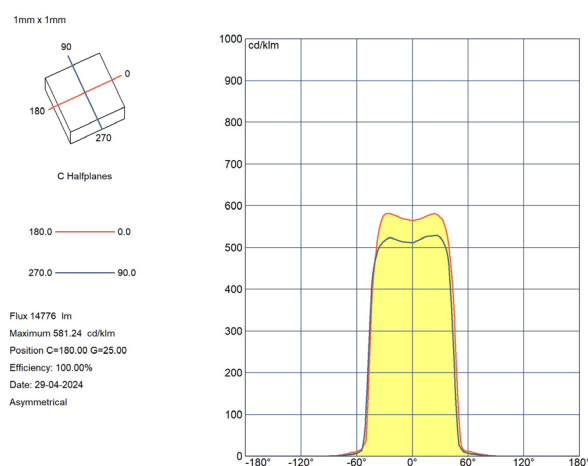
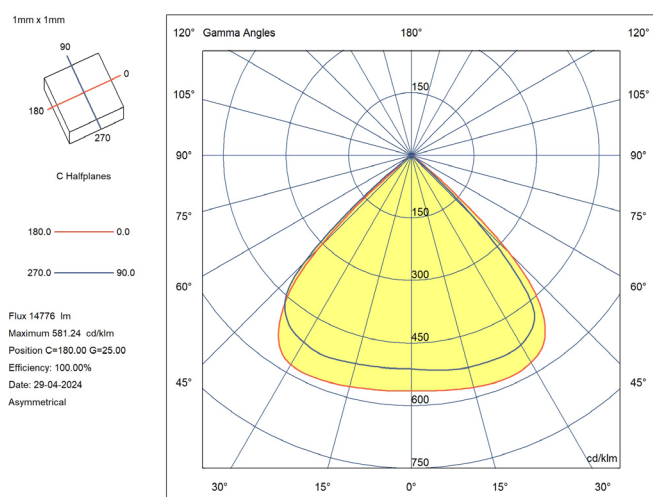
## ENERGY EFFICIENCY 2023(UE-2019/2015)

**F**

## DIMENSIONS



## LUMINOUS INTENSITY DISTRIBUTION CURVE



## CERTIFICATIONS

CE & ROHS

### EMC directive 2014/30/EU ELECTROMAGNETIC COMPATIBILITY

- EN IEC 55015** Limits and methods of measurement of radio disturbance characteristics of electrical lighting and similar equipment.
- EN IEC 61000-3-2** Electromagnetic compatibility (EMC) - Part 3-2: Limits - Limits for harmonic current emissions (equipment input current =16 A per phase).
- EN 61000-3-3** Electromagnetic compatibility (EMC) - Part 3-3: Limits - Limitation of voltage changes, voltage fluctuations and flicker in public low-voltage supply systems, for equipment with rated current  $\leq 16$  A per phase and not subject to conditional connection.
- EN 61547** Equipment for general lighting purposes - EMC immunity requirements.

### LVD directive 2014/35/EU LOW VOLTAGE

- EN 60598-2-5** Luminaires - Part 2-5: Particular requirements - Floodlights
- EN 60598-1** Luminaires - Part 1: General requirements and tests.

### RoHS Directive 2011/65/EU and Delegated Directive (EU) 2015/863

Determination of Certain Substances in Electrotechnical Products.

- IEC 62321-1**            **IEC 62321-1-2**
- IEC 62321-3-1**        **IEC 62321-4**
- IEC 62321-6**           **IEC 62321-7-1**
- IEC 62321-7-2**        **IEC 62321-8**

