

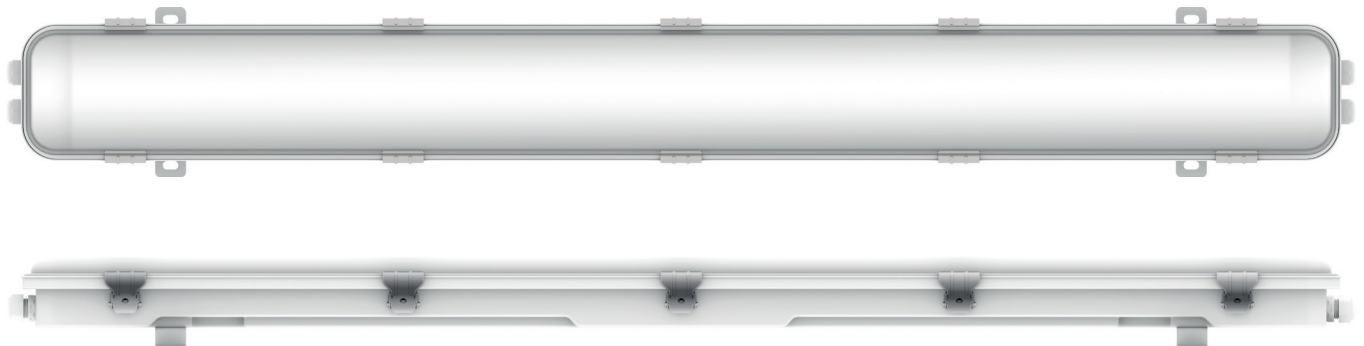
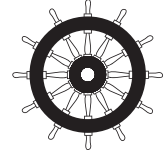
## 6912040CCT



Input and output at both ends

## NEPTUNO CCT LED WATERPROOF FIXTURE 40W 1200MM

NEPTUNO LED waterproof fixture. 40W power and 6000lm luminous flux. Direct symmetrical beam angle and 3 selectable colour temperatures via DIP switch. Protection rating IP67 and mechanical impact resistance rating IK10. SUS 316 stainless steel housing and UV-resistant opal polycarbonate diffuser.



### PRODUCT SPECIFICATIONS

Item code:	6912040CCT
Description:	Neptuno LED waterproof fixture
EAN13 code:	8435724907380

### ELECTRICAL DATA

Power:	40w
Voltage:	100-264vac
Frequency:	50-60Hz
Power factor:	0,9
Dimmable:	NOT
ENEC certification:	YES
Electrical insulation class:	CLASS I
Connection:	L/N+TT

### LUMINOUS DATA

Color temperature:	Selectable CCT 5700K/4000K/3000K
Colour temperature selection mode:	Integrated DIP switch
Luminous efficiency:	150 lm/w
LED chip model:	SMD2835
Driver model:	Lifud serie FMR

Lumens:	6000lm
Beam angle:	120°
Luminous distribution:	Symmetrical
Standard deviation of colour matching:	<6
Luminous maintenance factor:	L95D10
Flicker index:	≤1
SVM (Stroboscopic Visibility Measure):	≤0,4

## TECHNICAL DATA

Protection rating:	IP67 (dust-tight and protected against temporary immersion in water up to a depth of 1m for 30 minutes)
Impact rating:	IK10 (20J)
Operating temperature:	-20°~50°
Mounting type:	Surface

## AVERAGE LIFESPAN

Working hours:	45000 hrs
Switching cycles:	35000 ON/OFF

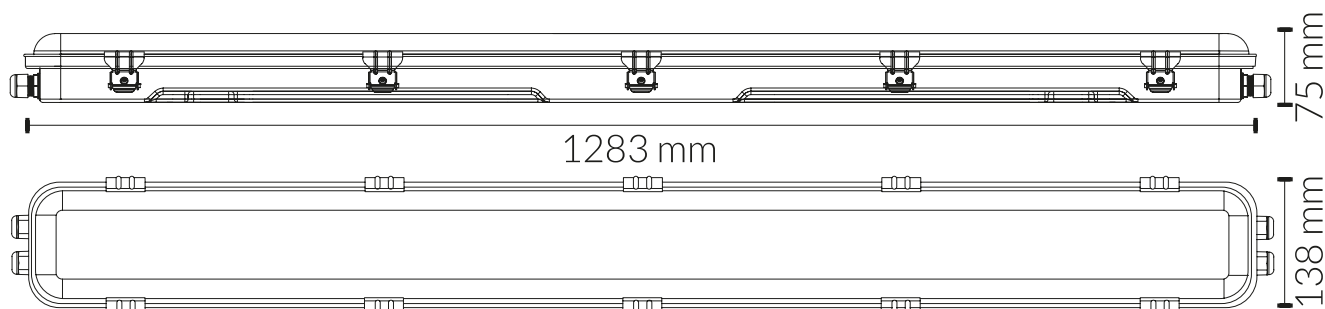
## PHYSICAL DATA

<b>Housing</b>	
Material:	Stainless steel SUS 316
Finish:	RAL 9010 - White
<b>Clips</b>	
Material:	Stainless steel SUS 316
<b>Diffuser</b>	
Material:	UV-resistant polycarbonate
Finish:	Opal
<b>Weight</b>	
Weight:	3,26 kg

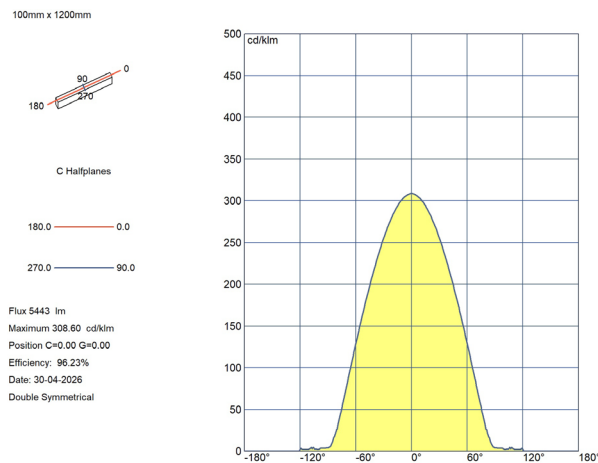
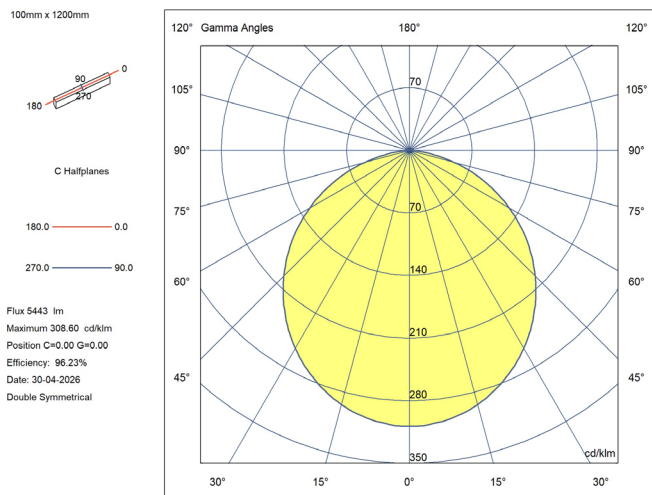
## ENERGY EFFICIENCY 2023(UE-2019/2015)

F

## DIMENSIONS



# LUMINOUS INTENSITY DISTRIBUTION CURVE



# CERTIFICATIONS

