

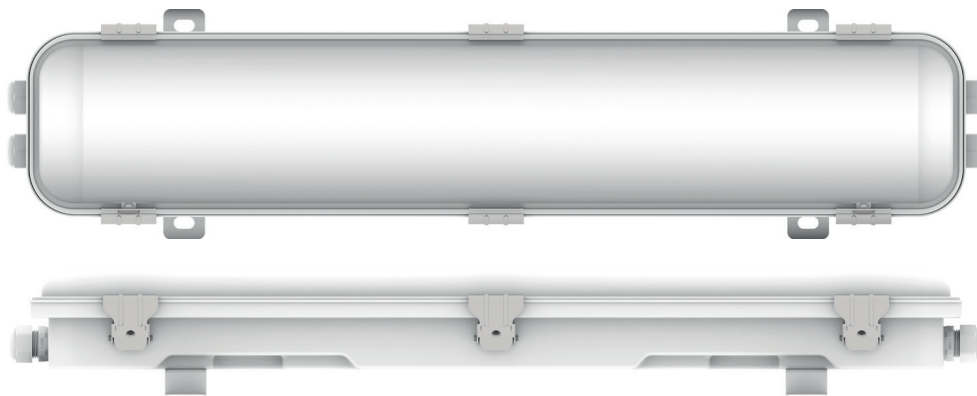
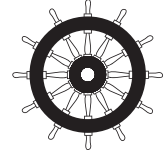
6906020CCT



Input and output at both ends

NEPTUNO CCT LED WATERPROOF FIXTURE 20W 600MM

NEPTUNO LED waterproof fixture. 20W power and 3000lm luminous flux. Direct symmetrical beam angle and 3 selectable colour temperatures via DIP switch. Protection rating IP67 and mechanical impact resistance rating IK10. SUS 316 stainless steel housing and UV-resistant opal polycarbonate diffuser.



PRODUCT SPECIFICATIONS

Item code:	6906020CCT
Description:	Neptuno LED waterproof fixture
EAN13 code:	8435724907373

ELECTRICAL DATA

Power:	20w
Voltage:	100-264vac
Frequency:	50-60Hz
Power factor:	0,9
Dimmable:	NOT
ENEC certification:	YES
Electrical insulation class:	CLASS I
Connection:	L/N+TT

LUMINOUS DATA

Color temperature:	Selectable CCT 5700K/4000K/3000K
Colour temperature selection mode:	Integrated DIP switch
Luminous efficiency:	150 lm/w
LED chip model:	SMD2835
Driver model:	Lifud serie FMR

Lumens:	3000lm
Beam angle:	120°
Luminous distribution:	Symmetrical
Standard desviation of colour matching:	<6
Luminous maintenance factor:	L95D10
Flicker index:	≤1
SVM (Stroboscopic Visibility Measure):	≤0,4

TECHNICAL DATA

Protection rating:	IP67 (dust-tight and protected against temporary immersion in water up to 1m depth for 30 minutes)
Impact rating:	IK10 (20J)
Operating temperature:	-20°~50°
Mounting type:	Surface

AVERAGE LIFESPAN

Working hours:	45000 hrs
Switching cycles:	35000 ON/OFF

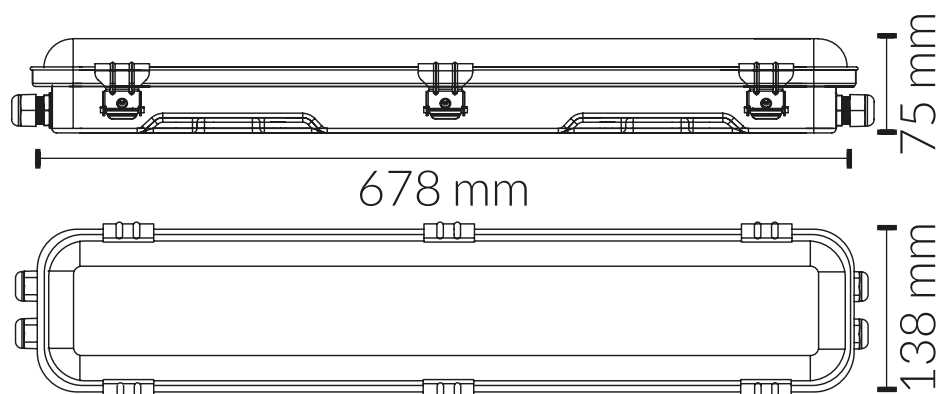
PHYSICAL DATA

Housing	
Material:	Stainless steel SUS 316
Finish:	RAL 9010 - White
Clips	
Material:	Stainless steel SUS 316
Diffuser	
Material:	UV-resistant polycarbonate
Finish:	Opal
Weight	
Weight:	1,78 kg

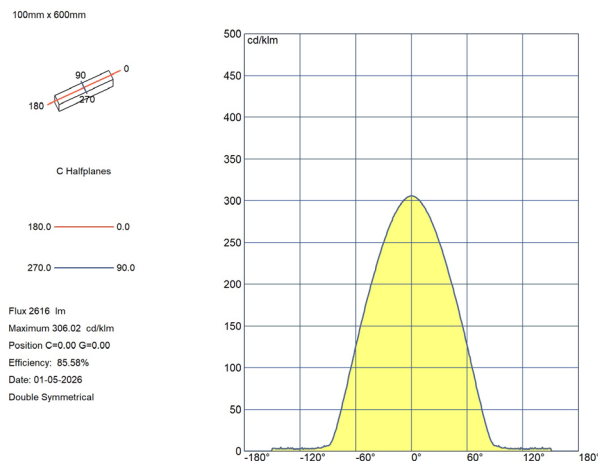
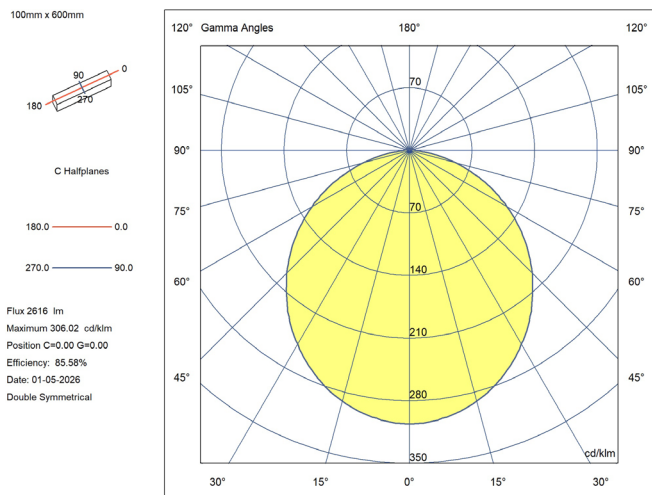
ENERGY EFFICIENCY 2023(UE-2019/2015)

F

DIMENSIONS



LUMINOUS INTENSITY DISTRIBUTION CURVE



CERTIFICATIONS

