

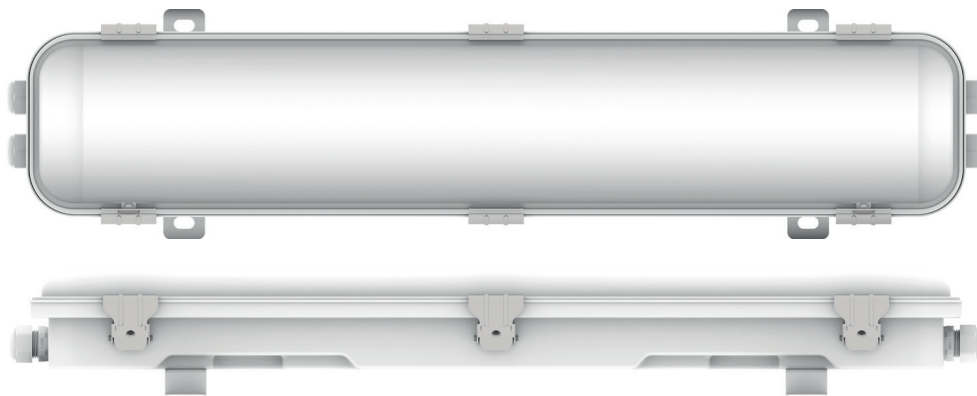
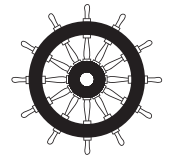
## 6906020CCTK2



Input and output at both ends

## NEPTUNO CCT LED WATERPROOF FIXTURE WITH EMERGENCY KIT FULL POWER 20W 600MM

NEPTUNO LED waterproof fixture with emergency kit full power. 20W power and 3000lm luminous flux. Direct symmetrical beam angle and 3 selectable colour temperatures via DIP switch. Protection rating IP67 and mechanical impact resistance rating IK10. SUS 316 stainless steel housing and UV-resistant opal polycarbonate diffuser.



### PRODUCT SPECIFICATIONS

Item code:	6906020CCTK2
Description:	Neptuno LED waterproof fixture with emergency kit full power
EAN13 code:	8435724907427

### ELECTRICAL DATA

Power:	20w
Voltage:	100-264vac
Frequency:	50-60Hz
Power factor:	0,9
Dimmable:	NOT
ENEC certification:	YES
Electrical insulation class:	CLASS I
Connection:	L/N+TT

### LUMINOUS DATA

Color temperature:	Selectable CCT 5700K/4000K/3000K
Colour temperature selection mode:	Integrated DIP switch
Luminous efficiency:	150 lm/w
LED chip model:	SMD2835
Driver model:	Lifud serie FMR

Lumens:	3000lm
Beam angle:	120°
Luminous distribution:	Symmetrical
Standard desviation of colour matching:	<6
Luminous maintenance factor:	L95D10
Flicker index:	≤1,0
SVM (Stroboscopic Visibility Measure):	≤0,4

## TECHNICAL DATA

Protection rating:	IP67 (dust-tight and protected against temporary immersion in water up to a depth of 1m for 30 minutes)
Impact rating:	IK10 (20J)
Operating temperature:	-20°~50°
Mounting type:	Surface

## EMERGENCY KIT DATA

Power:	20W
Luminance:	3000lm
Autonomy:	60 minutes
Function:	Non-permanent
Battery:	Li-on 14.8V 2.2Ah

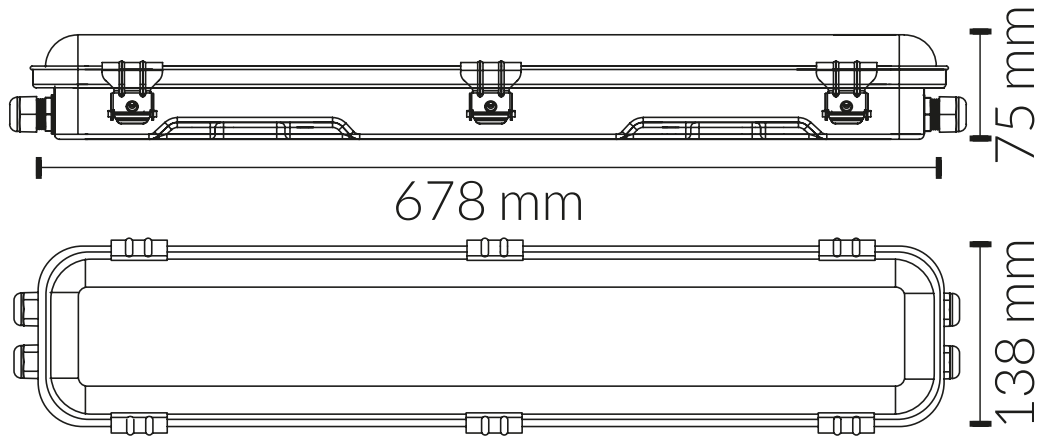
## AVERAGE LIFESPAN

Working hours:	45000 hrs
Switching cycles:	35000 ON/OFF

## PHYSICAL DATA

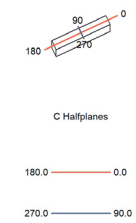
<b>Housing</b>	
Material:	Stainless steel SUS 316
Finish:	RAL 9010 - White
<b>Clips</b>	
Material:	Stainless steel SUS 316
<b>Diffuser</b>	
Material:	UV-resistant polycarbonate
Finish:	Opal
<b>Weight</b>	
Weight:	1,78 kg

## DIMENSIONS

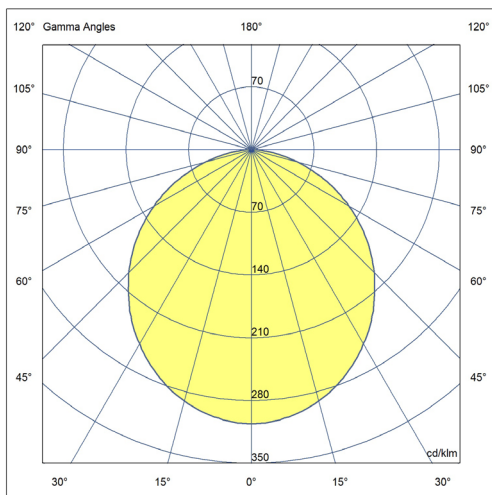


## LUMINOUS INTENSITY DISTRIBUTION CURVE

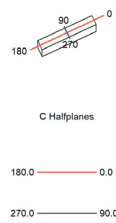
100mm x 600mm



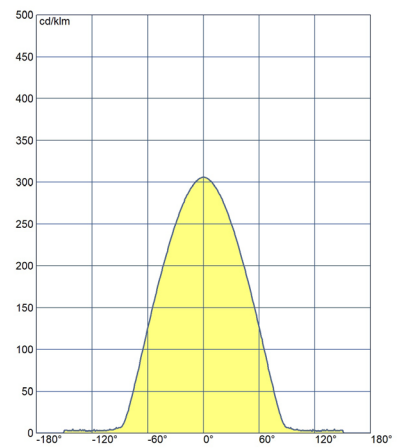
Flux 2616 lm  
Maximum 306.02 cd/klm  
Position C=0.00 G=0.00  
Efficiency: 85.58%  
Date: 01-05-2026  
Double Symmetrical



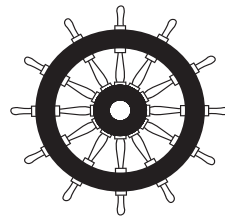
100mm x 600mm



Flux 2616 lm  
Maximum 306.02 cd/klm  
Position C=0.00 G=0.00  
Efficiency: 85.58%  
Date: 01-05-2026  
Double Symmetrical



## CERTIFICATIONS



CE RoHS