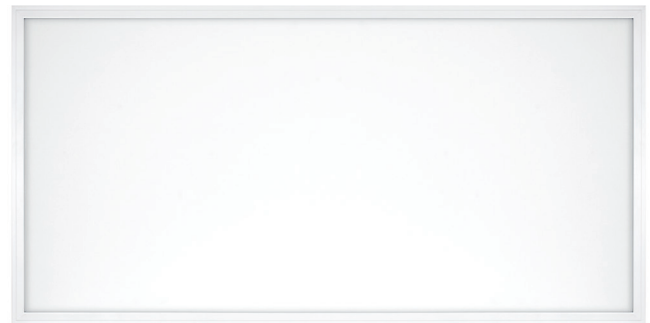


1206075CW

LED ARMSTRONG PANEL 75W 120X60CM 6000K



LED ARMSTRONG panel 120x60cm. 75W power and luminous flux of 7300lm. Symmetrical optical opening of 120° and color temperature of 6000K. Protection rating against external elements IP20 and mechanical impact resistance rating IK06. Made of aluminium with white finish.

PRODUCT SPECIFICATIONS

Item code:	1206075CW
Description:	LED Panel
EAN13 code:	8436568447568

ELECTRICAL DATA

Power:	75w
Voltage:	185-265vac
Frequency:	50-60Hz
ENEC certificate for the driver:	YES
TUV certificate for the driver:	YES
Power factor:	0,9
Dimmable:	NOT
Electrical insulation class:	CLASS II
Connection:	L/N

LUMINOUS DATA

Color temperature:	6000K
Luminous efficiency:	98 lm/w
Lumens:	7300lm
LED chip brand:	SMD 4014
Beam angle:	120°
Luminous distribution:	Symmetrical
Color rendering index:	>80
Color rendering index (minimum):	80
Color rendering index (maximum):	83
Standard desviation of colour matching:	<6
Luminous maintenance factor:	L96

Flicker index:	≤1,0
Unified glare rating:	UGR<22
SVM (Stroboscopic Visibility Measure):	≤0,5
Flicker free:	YES

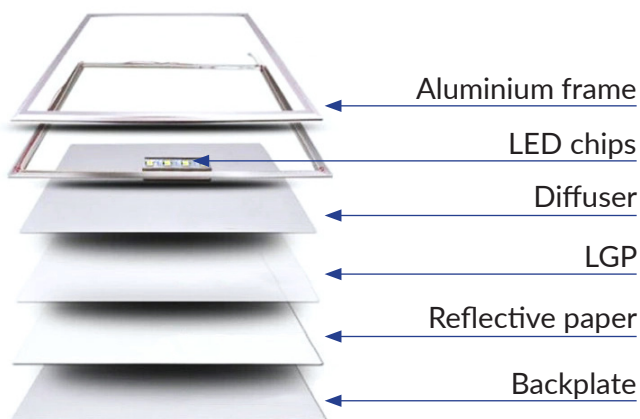
TECHNICAL DATA

Protection rating:	IP20 (Equipment protected against objects >12mm in diameter)
Impact rating:	IK06 (1J)
Operating temperature:	-20°~50°
Mounting type:	Armstrong ceiling recessed

AVERAGE LIFESPAN

Working hours:	45000 hrs
Switch cycles:	35000 ON/OFF

PHYSICAL DATA



Housing

Material:	Aluminum
Finish:	White

Diffuser

Material:	Polystyrene: 1mm thick
-----------	------------------------

LGP

Material:	MS: 2,5mm thick
-----------	-----------------

Backplate

Material:	Metal: 0,28mm thick
-----------	---------------------

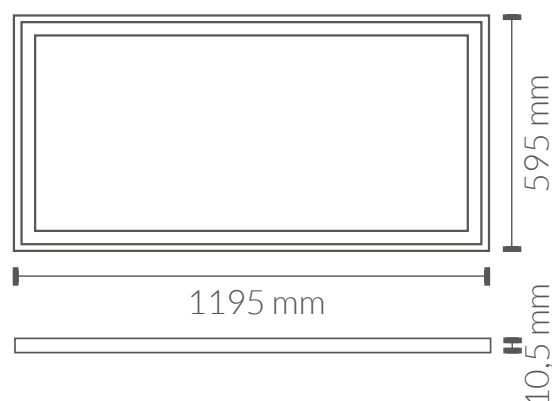
Weight

Weight:	4,60 Kg
---------	---------

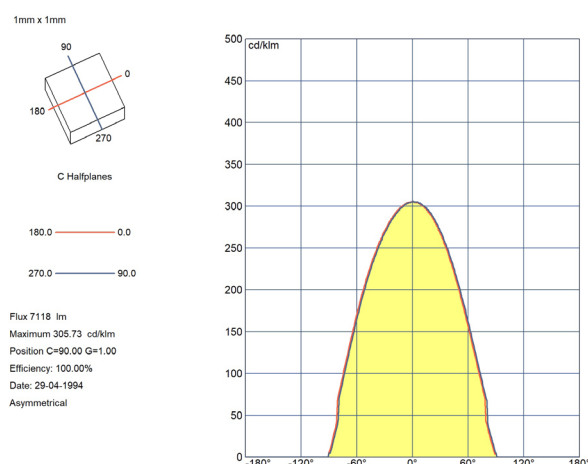
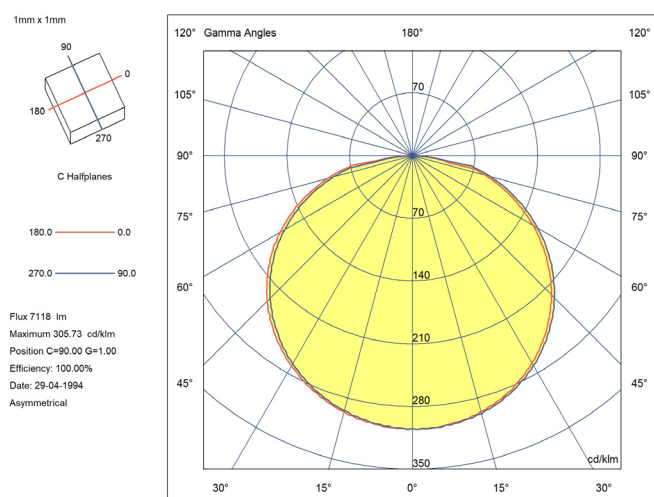
ENERGY EFFICIENCY 2023(UE-2019/2015)

F

DIMENSIONS



LUMINOUS INTENSITY DISTRIBUTION CURVE



CERTIFICATIONS

CE & ROHS

EMC directive 2014/30/EU ELECTROMAGNETIC COMPATIBILITY

- EN IEC 55015** Limits and methods of measurement of radio disturbance characteristics of electrical lighting and similar equipment.
- EN 61547** Equipment for general lighting purposes - EMC immunity requirements.
- EN IEC 61000-3-2** Electromagnetic compatibility (EMC) - Part 3-2: Limits - Limits for harmonic current emissions (equipment input current =16 A per phase).
- EN 61000-3-3** Electromagnetic compatibility (EMC) - Part 3-3: Limits - Limitation of voltage changes, voltage fluctuations and flicker in public low-voltage supply systems, for equipment with rated current ≤ 16 A per phase and not subject to conditional connection.

LVD directive 2014/35/EU LOW VOLTAGE

- EN 60598-1** Luminaires - Part 1: General requirements and tests.
- EN 60598-2-2** Luminaires - Part 2-2: Particular requirements - Recessed luminaires.
- EN IEC 62031** LED modules for general lighting - Safety specifications.
- EN 62493** Assessment of lighting equipment related to human exposure to electromagnetic fields.

RoHS Directive 2011/65/EU and Delegated Directive (EU) 2015/863

Determination of Certain Substances in Electrotechnical Products.

- IEC 62321-2** **IEC 62321-3-1**
- IEC 62321-4** **IEC 62321-5**
- IEC 62321-6** **IEC 62321-7-2**
- IEC 62321-7-1** **IEC 62321-8**

