

756012NW

CIVIS STREET LUMINAIRE 60W 4000K 120°

CIVIS street luminaire for public lighting. 60W power and 10080lm luminous flux. Equipped with 144 pcs Lumileds SMD3030 LED chips. Symmetrical 120° beam angle and 4000K color temperature. Protection rating IP66 and mechanical impact resistance rating IK09. Aluminium housing with textured black finish. Glass lenses. Pole-mounted installation.



PRODUCT SPECIFICATIONS

| | |
|--------------|--|
| Item code: | 756012NW |
| Description: | CIVIS street luminaire for public lighting |
| EAN13 code: | 8435724908219 |

ELECTRICAL DATA

| | |
|------------------------------|--------------------|
| Power: | 60W |
| Voltage: | 90/305vac |
| Frequency: | 50/60 Hz |
| Driver brand: | MOSO |
| Driver model: | Serie X6 |
| ENEC driver certification: | YES |
| Power factor: | 0,9 |
| Dimmable: | NOT |
| Driver protections: | OVP, SCP, OPP, OTP |
| Overvoltage protection: | 6kv |
| Surge protection option: | 10kv |
| Electrical insulation class: | Class I |
| Connection: | L/N+TT |

LUMINOUS DATA

| | |
|----------------------------|-------------|
| Color temperature: | 4000K |
| Luminous efficiency: | 143 lm/w |
| Lumens: | 10080lm |
| LED chip brand: | Lumileds |
| LED chip model: | SMD 3030 |
| Number of LED chips: | 144 pcs |
| Beam angle: | 120° |
| Luminous distribution: | Symmetrical |
| Color rendering index: | >80 |
| Luminous flux maintenance: | L90 |

TECHNICAL DATA

| | |
|------------------------|---|
| Protection rating: | IP66 (Dust-tight and protected against powerful water jets) |
| Impact rating: | IK09 (10J vandal-resistant) |
| Operating temperature: | -20°~50° |
| Mounting type: | Column |
| Mounting method: | Vertical position support for column mounting |

AVERAGE LIFESPAN

| | |
|-------------------|--------------|
| Lifetime hours: | 60000 hrs |
| Switching cycles: | 40000 ON/OFF |

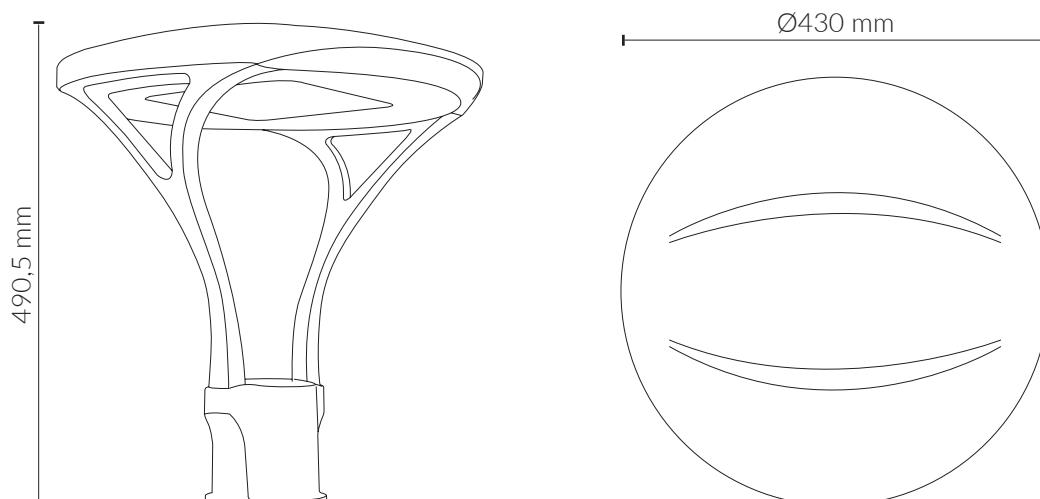
PHYSICAL DATA

| | |
|-----------------------|----------------|
| Luminaire body | |
| Material: | Aluminum |
| Finish: | Textured black |
| Optical | |
| Material: | Glass |
| Finish: | Transparent |
| Weight | |
| Weight: | 5,50 kg |

ENERGY EFFICIENCY 2023(UE-2019/2015)

D

DIMENSIONS



CERTIFICATIONS

