

755012AM

CIVIS STREET LUMINAIRE 50W 2200K 120°

CIVIS street luminaire for public lighting. 50W power and 8000lm luminous flux. Equipped with 144 pcs Lumileds SMD3030 LED chips. Symmetrical 120° beam angle and 2200K color temperature. Protection rating IP66 and mechanical impact resistance rating IK09. Aluminium housing with textured black finish. Glass lenses. Pole-mounted installation.



PRODUCT SPECIFICATIONS

Item code:	755012AM
Description:	CIVIS street luminaire for public lighting
EAN13 code:	8435724908189

ELECTRICAL DATA

Power:	50W
Voltage:	90/305vac
Frequency:	50/60 Hz
Driver brand:	MOSO
Driver model:	Serie X6
ENEC driver certification:	YES
Power factor:	0,9
Dimmable:	NOT
Driver protections:	OVP, SCP, OPP, OTP
Overvoltage protection:	6kv
Surge protection option:	10kv
Electrical insulation class:	Class I
Connection:	L/N+TT

LUMINOUS DATA

Color temperature:	2200K
Luminous efficiency:	139 lm/w
Lumens:	8000lm
LED chip brand:	Lumileds
LED chip model:	SMD 3030
Number of LED chips:	144 pcs
Beam angle:	120°
Luminous distribution:	Symmetrical
Color rendering index:	>80
Luminous flux maintenance:	L90

TECHNICAL DATA

Protection rating:	IP66 (Dust-tight and protected against powerful water jets)
Impact rating:	IK09 (10J vandal-resistant)
Operating temperature:	-20°~50°
Mounting type:	Column
Mounting method:	Vertical position support for column mounting

AVERAGE LIFESPAN

Lifetime hours:	60000 hrs
Switching cycles:	40000 ON/OFF

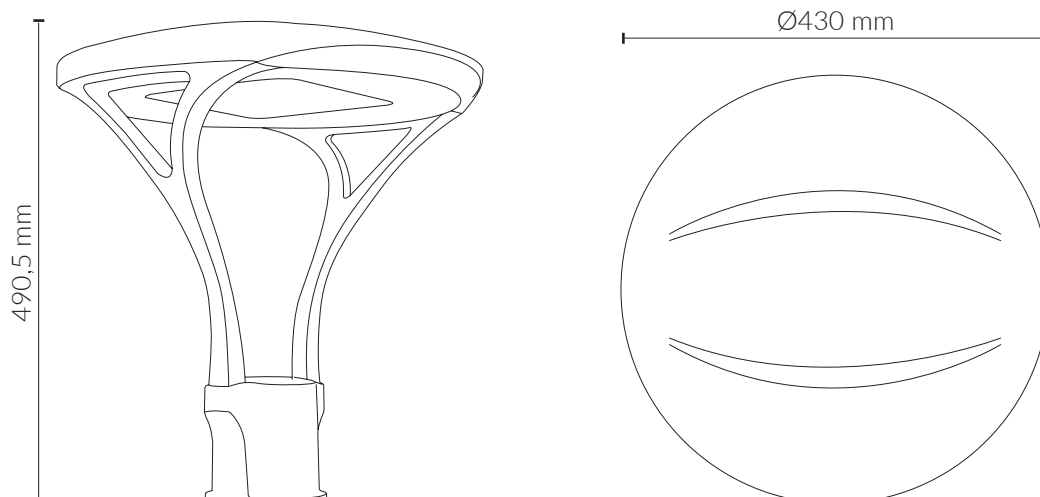
PHYSICAL DATA

Luminaire body	
Material:	Aluminum
Finish:	Textured black
Optical	
Material:	Glass
Finish:	Transparent
Weight	
Weight:	5,50 kg

ENERGY EFFICIENCY 2023(UE-2019/2015)

D

DIMENSIONS



CERTIFICATIONS

