

382712RGBSMART

PAR-38 SMART LAMP IP65 11W E27 RGB+CCT



PRODUCT SPECIFICATIONS

Item code:	382712RGBSMART
Description:	LED PAR-38 Lamp
Lamp type:	PAR-38 Smart
Socket:	E27
EAN13 code:	8436568445465

ELECTRICAL DATA

Power:	12w
Voltage:	185/260vac
Frequency:	50Hz
Power factor:	0,5
Dimmable:	YES

LUMINOUS DATA

Color temperature:	RGB + CCT (6000K-2700K)
Luminous efficiency:	75 lm/w
Lumens:	900lm
LED chip model:	SMD2835
Beam angle:	120°
Color rendering index:	>80
Standard desviation of colour matching:	<4
Luminous maintenance factor:	L95
Flicker index:	≤1
SVM (Stroboscopic Visibility Measure):	≤0,4

TECHNICAL DATA

Protection rating	IP65 (Dustproof equipment and protected against water jets)
Control mode:	WIFI
Application:	TUYA SMART / SMART LIFE
Virtual assistants:	Amazon Alexa / Google Assistant
Group creation:	YES
Scene creation:	YES
Timer:	YES

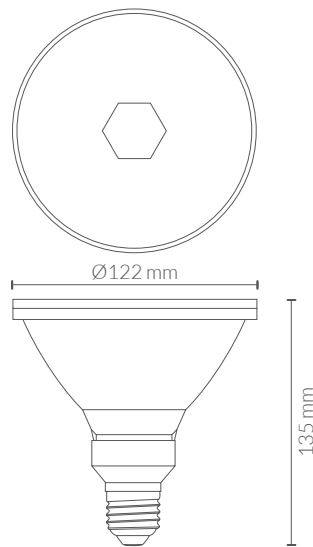
AVERAGE LIFESPAN

Working hours:	40000 hrs
Switch cycles:	30000 ON/OFF

PHYSICAL DATA

Material:	Glass
Weight:	0,35 kg

DIMENSIONS



ENERGY EFFICIENCY 2023(UE-2019/2015)

F

CERTIFICATIONS

CE & ROHS

EMC directive 2014/30/EU ELECTROMAGNETIC COMPATIBILITY

- EN IEC 55015** Limits and methods of measurement of radio disturbance characteristics of electrical lighting and similar equipment.
- EN 61547** Equipment for general lighting purposes - EMC immunity requirements.
- EN IEC 61000-3-2** Electromagnetic compatibility (EMC) - Part 3-2: Limits - Limits for harmonic current emissions (equipment input current =16 A per phase).
- EN 61000-3-3** Electromagnetic compatibility (EMC) - Part 3-3: Limits - Limitation of voltage changes, voltage fluctuations and flicker in public low-voltage supply systems, for equipment with rated current ≤ 16 A per phase and not subject to conditional connection.

LVD directive 2014/35/EU LOW VOLTAGE

- EN 62560** Self-ballasted LED-lamps for general lighting services by voltage > 50 V - Safety specifications.
- EN 62493** Assessment of lighting equipment related to human exposure to electromagnetic Field.

RoHS Directive 2011/65/EU and Delegated Directive (EU) 2015/863
Determination of Certain Substances in Electrotechnical Products.

IEC 62321-3-1 IEC 62321-5

IEC 62321-4 IEC 62321-6

IEC 62321-7-1 IEC 62321-7-2

IEC 62321-8

