

**382709VD**

## PAR-38 LAMP IP65 11W E27 VERDE



### PRODUCT SPECIFICATIONS

Item code:	382709VD
Description:	LED PAR-38 lamp
Lamp type:	PAR-38
Socket:	E27
EAN13 code:	8436568440163

### ELECTRICAL DATA

Power:	11w
Voltage:	85/265vac
Frequency:	50Hz
Power factor:	0,5
Dimmable:	NOT

### LUMINOUS DATA

Color temperature:	Verde
Luminous efficiency:	75 lm/w
Lumens:	825lm
LED chip model:	SMD2835
Beam angle:	120°
Color rendering index:	>80
Standard desviation of colour matching:	<4
Luminous maintenance factor:	L95
Flicker index:	≤1
SVM (Stroboscopic Visibility Measure):	≤0,4

### TECHNICAL DATA

Protection rating:	IP65 (Dust-tight equipment and protected against water jets)
--------------------	--

### AVERAGE LIFESPAN

Working hours:	40000 hrs
Switch cycles:	30000 ON/OFF

### PHYSICAL DATA

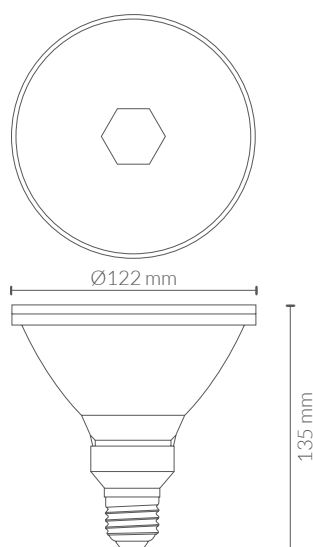
Material:	Green glass
-----------	-------------

## Weight

Weight:

0,35 kg

## MEDIDAS



## ENERGY EFFICIENCY 2023(UE-2019/2015)

F

## CERTIFICATIONS

CE & ROHS

### EMC directive 2014/30/EU ELECTROMAGNETIC COMPATIBILIT

- EN IEC 55015** Limits and methods of measurement of radio disturbance characteristics of electrical lighting and similar equipment.
- EN 61547** Equipment for general lighting purposes - EMC immunity requirements.
- EN IEC 61000-3-2** Electromagnetic compatibility (EMC) - Part 3-2: Limits - Limits for harmonic current emissions (equipment input current =16 A per phase).
- EN 61000-3-3** Electromagnetic compatibility (EMC) - Part 3-3: Limits - Limitation of voltage changes, voltage fluctuations and flicker in public low-voltage supply systems, for equipment with rated current  $\leq 16$  A per phase and not subject to conditional connection.

### LVD directive 2014/35/EU LOW VOLTAGE

- EN 62560** Self-ballasted LED-lamps for general lighting services by voltage  $> 50$  V - Safety specifications.
- EN 62493** Assessment of lighting equipment related to human exposure to electromagnetic Field.
- EN 62471** Photobiological safety of lamps and lamp systems
- EN 62031** LED modules for general lighting - Safety specifications

### RoHS Directive 2011/65/EU and Delegated Directive (EU) 2015/863

Determination of Certain Substances in Electrotechnical Products.

- IEC 62321-3-1**    **IEC 62321-5**    **IEC 62321-4**  
**IEC 62321-6**    **IEC 62321-7-1**    **IEC 62321**

