

2835470NW

**GU10 LAMP 6W GU10
4500K**



PRODUCT SPECIFICATIONS

Item code:	2835470NW
Description:	LED GU10 lamp
Lamp type:	GU10
Socket:	GU10
EAN13 code:	8436568441993

ELECTRICAL DATA

Power:	6w
Voltage:	170/260vac
Frequency:	50Hz
Power factor:	0,5
Dimmable:	NOT

LUMINOUS DATA

Color temperature:	4500K
Luminous efficiency:	113 lm/w
Lumens:	678lm
LED chip brand:	Lumileds
LED chip model:	SMD2835
Beam angle:	120°
Color rendering index:	>80
Standard desviation of colour matching:	<4
Luminous maintenance factor:	L95
Flicker index:	≤1,0
SVM (Stroboscopic Visibility Measure):	≤0,4

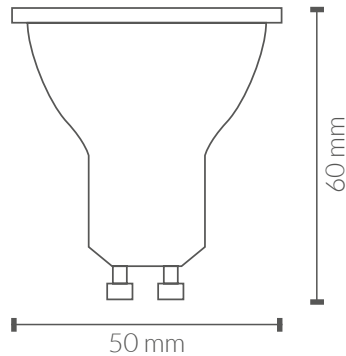
AVERAGE LIFESPAN

Working hours:	40000 hrs
Switch cycles:	30000 ON/OFF

PHYSICAL DATA

Material:	Thermoplastic
Finish:	Opal

DIMENSIONS



ENERGY EFFICIENCY 2023(UE-2019/2015)

F

CERTIFICATIONS

CE & ROHS

EMC directive 2014/30/EU ELECTROMAGNETIC COMPATIBILIT

- EN IEC 55015** Limits and methods of measurement of radio disturbance characteristics of electrical lighting and similar equipment.
- EN 61547** Equipment for general lighting purposes - EMC immunity requirements.
- EN IEC 61000-3-2** Electromagnetic compatibility (EMC) - Part 3-2: Limits - Limits for harmonic current emissions (equipment input current =16 A per phase).
- EN 61000-3-3** Electromagnetic compatibility (EMC) - Part 3-3: Limits - Limitation of voltage changes, voltage fluctuations and flicker in public low-voltage supply systems, for equipment with rated current ≤ 16 A per phase and not subject to conditional connection.

LVD directive 2014/35/EU LOW VOLTAGE

- EN 62560** Self-ballasted LED-lamps for general lighting services by voltage > 50 V - Safety specifications.
- EN 62493** Assessment of lighting equipment related to human exposure to electromagnetic Field.
- EN 62471** Photobiological safety of lamps and lamp systems

RoHS Directive 2011/65/EU and Delegated Directive (EU) 2015/863

Determination of Certain Substances in Electrotechnical Products.

- IEC 62321-2** **IEC 62321-3-1**
- IEC 62321-4** **IEC 62321-5**
- IEC 62321-6** **IEC 62321-7-1**
- IEC 62321-7-2** **IEC 62321-8**

