

2835470CW

**GU10 LAMP 6W GU10
6000K**



PRODUCT SPECIFICATIONS

| | |
|--------------|---------------|
| Item code: | 2835470CW |
| Description: | LED GU10 lamp |
| Lamp type: | GU10 |
| Socket: | GU10 |
| EAN13 code: | 8436568440095 |

ELECTRICAL DATA

| | |
|---------------|------------|
| Power: | 6w |
| Voltage: | 170/260vac |
| Frequency: | 50Hz |
| Power factor: | 0,5 |
| Dimmable: | NOT |

LUMINOUS DATA

| | |
|---|----------|
| Color temperature: | 6000K |
| Luminous efficiency: | 115 lm/w |
| Lumens: | 690lm |
| LED chip brand: | Lumileds |
| LED chip model: | SMD2835 |
| Beam angle: | 120° |
| Color rendering index: | >80 |
| Standard desviation of colour matching: | <4 |
| Luminous maintenance factor: | L95 |
| Flicker index: | ≤1,0 |
| SVM (Stroboscopic Visibility Measure): | ≤0,4 |

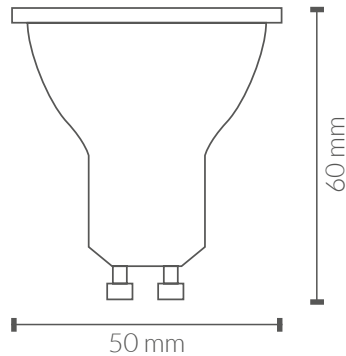
AVERAGE LIFESPAN

| | |
|----------------|--------------|
| Working hours: | 40000 hrs |
| Switch cycles: | 30000 ON/OFF |

PHYSICAL DATA

| | |
|-----------|---------------|
| Material: | Thermoplastic |
| Finish: | Opal |

DIMENSIONS



ENERGY EFFICIENCY 2023(UE-2019/2015)

F

CERTIFICATIONS

CE & ROHS

EMC directive 2014/30/EU ELECTROMAGNETIC COMPATIBILIT

- EN IEC 55015** Limits and methods of measurement of radio disturbance characteristics of electrical lighting and similar equipment.
- EN 61547** Equipment for general lighting purposes - EMC immunity requirements.
- EN IEC 61000-3-2** Electromagnetic compatibility (EMC) - Part 3-2: Limits - Limits for harmonic current emissions (equipment input current =16 A per phase).
- EN 61000-3-3** Electromagnetic compatibility (EMC) - Part 3-3: Limits - Limitation of voltage changes, voltage fluctuations and flicker in public low-voltage supply systems, for equipment with rated current ≤ 16 A per phase and not subject to conditional connection.

LVD directive 2014/35/EU LOW VOLTAGE

- EN 62560** Self-ballasted LED-lamps for general lighting services by voltage > 50 V - Safety specifications.
- EN 62493** Assessment of lighting equipment related to human exposure to electromagnetic Field.
- EN 62471** Photobiological safety of lamps and lamp systems

RoHS Directive 2011/65/EU and Delegated Directive (EU) 2015/863

Determination of Certain Substances in Electrotechnical Products.

- IEC 62321-2** **IEC 62321-3-1**
- IEC 62321-4** **IEC 62321-5**
- IEC 62321-6** **IEC 62321-7-1**
- IEC 62321-7-2** **IEC 62321-8**

