

## L128N300N

### MELKART LED EMERGENCY LUMINAIRE 300LM NON-MAINTAINED

Melkart LED emergency luminaire, non-maintained operation. Provides 180 minutes of autonomy and a luminous flux of 300lm with a 5700K colour temperature. IP20 protection rating against external elements and IK06 mechanical impact resistance rating. Luminaire manufactured from white ABS with an opal polymethyl methacrylate diffuser.



#### PRODUCT SPECIFICATIONS

Item code:	L128N300N
Description:	Melkart LED emergency luminaire
EAN13 code:	8435724903436

#### ELECTRICAL DATA

Power:	4,5w
Voltage:	220/240vac
Frequency:	50/60Hz
Electrical insulation class:	CLASs II
Connection:	L/N
Function:	Non-maintained

#### LUMINOUS DATA

Color temperature:	5700K
Lumens:	300lm
LED chip model:	SMD 2835
N.° LED chip:	16pcs
Beam angle:	120°
Luminous distribution:	Symmetrical

## TECHNICAL DATA

Protection rating:	IP20 (Protected against solid objects larger than 12 mm in diameter)
Impact rating:	IK06 (1J)
Operating temperature:	-10°~55°
Mounting type:	Surface-mounted / Recessed ceiling installation (accessory sold separately) / Wall-recessed installation (accessory sold separately)
Battery:	NP-Li-On 3,7V/2,0Ah
Replaceable Battery:	NOT
Autonomy:	180 minutes

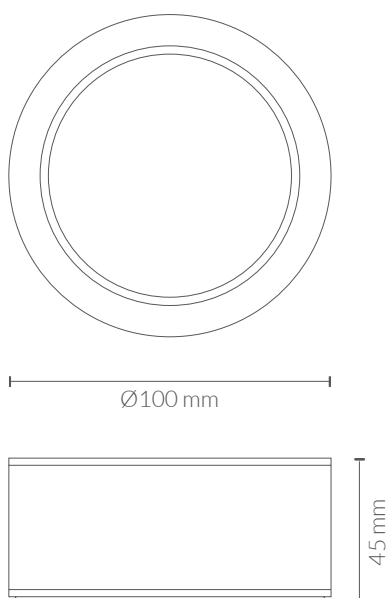
## PHYSICAL DATA

<b>Housing</b>	
Material:	ABS
Finish:	White
<b>Diffuser</b>	
Material:	Polymethyl methacrylate (PMMA)
Finish:	Opal
<b>Weight</b>	
Weight:	0,25 kg

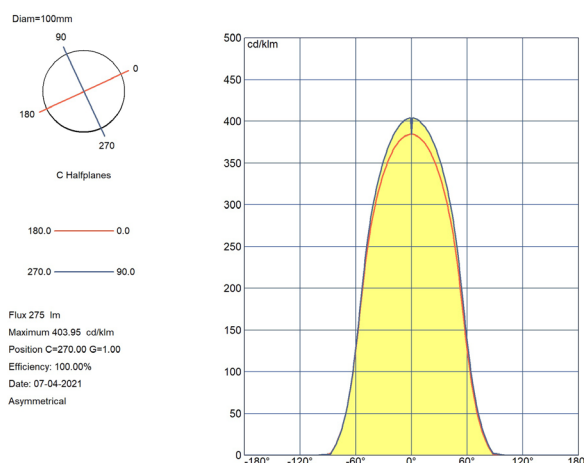
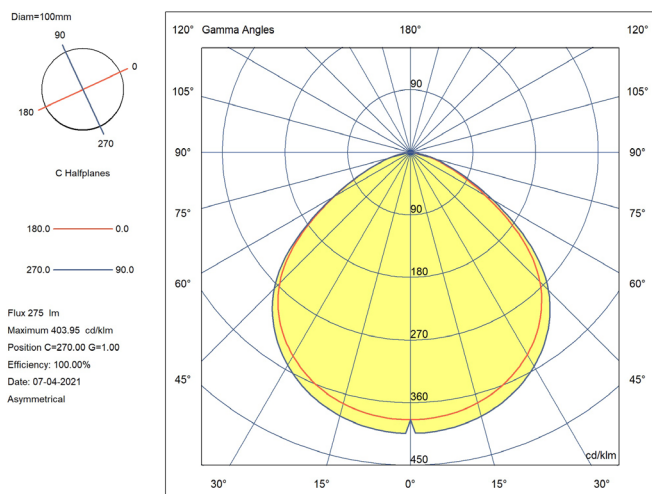
## ENERGY EFFICIENCY 2023(UE-2019/2015)

F

## DIMENSIONS



## LUMINOUS INTENSITY DISTRIBUTION CURVE



## CERTIFICATIONS

CE & ROHS

### Directiva EMC 2014/30/EU ELECTROMAGNETIC COMPATIBILIT

- EN IEC 55015** Limits and methods of measurement of radio disturbance characteristics of electrical lighting and similar equipment.
- EN 61547:** Equipment for general lighting purposes - EMC immunity requirements.
- EN IEC 61000-3-2** Electromagnetic compatibility (EMC) - Part 3-2: Limits - Limits for harmonic current emissions (equipment input current =16 A per phase).
- EN 61000-3-3** Electromagnetic compatibility (EMC) - Part 3-3: Limits - Limitation of voltage changes, voltage fluctuations and flicker in public low-voltage supply systems, for equipment with rated current  $\leq 16$  A per phase and not subject to conditional connection.

### Directiva LVD 2014/35/EU LOW VOLTAGE

- EN IEC 60598-2-22** Luminaires. Part 2-22: Particular requirements. Luminaires for emergency lighting.
- EN IEC 60598-1** Luminaires. Part 1: General requirements and tests.

### RoHS Directive 2011/65/EU and Delegated Directive (EU) 2015/863

Determination of Certain Substances in Electrotechnical Products.

- IEC 62321-1**            **IEC 62321-2**
- IEC 62321-3-1**       **IEC 62321-3-2**
- IEC 62321-4**           **IEC 62321-5**
- IEC 62321-6**           **IEC 62321-7-1**
- IEC 62321-8**

