

461200NW

SURFACE-MOUNTED SQUARE LED DOWNLIGHT 12W 4500K WHITE



PRODUCT DATA

| | |
|--------------|--------------------------------------|
| Item code: | 461200NW |
| Description: | Surface-mounted Square LED downlight |
| EAN13 code: | 8436568448480 |

ELECTRICAL DATA

| | |
|------------------------------|-----------|
| Power: | 12w |
| Voltage: | 85/265vac |
| Frequency: | 50/60Hz |
| Surge protection: | 2 kv |
| Power factor: | 0,5 |
| Dimable: | NO |
| Electrical insulation class: | CLASS II |
| Connection: | L/N |

LIGHTING DATA

| | |
|---------------------------------------|-------------|
| Color temperature: | 4500K |
| Lighting efficiency: | 98 lm/w |
| Lumens: | 1176lm |
| Brand LED chip: | San'an |
| LED chip model: | SMD2835 |
| Beam angle: | 180° |
| Light distribution: | Symmetrical |
| Colour rendering index: | >80 |
| Standard chromatic deviation: | <6 |
| Luminous maintenance factor: | L95 |
| Flicker index: | ≤1,0 |
| Strobe effect visibility measurement: | ≤0,4 |

TECHNICAL DATA

| | |
|------------------------|---|
| Degree of protection: | IP44 (Equipment protected against objects larger than 1 mm and splashing water) |
| Degree of impact: | IK06 (1J) |
| Operating temperature: | -20°~50° |
| Mounting type: | Surface mounting |

LIFE TIME

| | |
|----------------|--------------|
| Working hours: | 40000 hrs |
| Switch cycles: | 35000 ON/OFF |

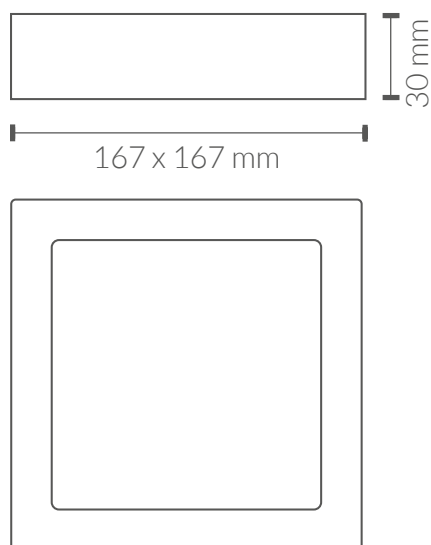
PHYSICAL DATA

| | |
|-----------------|---------------|
| Housing | |
| Material: | Aluminium |
| Finish: | White |
| Diffuser | |
| Material: | Polycarbonate |
| Finish: | Opal |
| Weight | |
| Weight: | 0,31 kg |

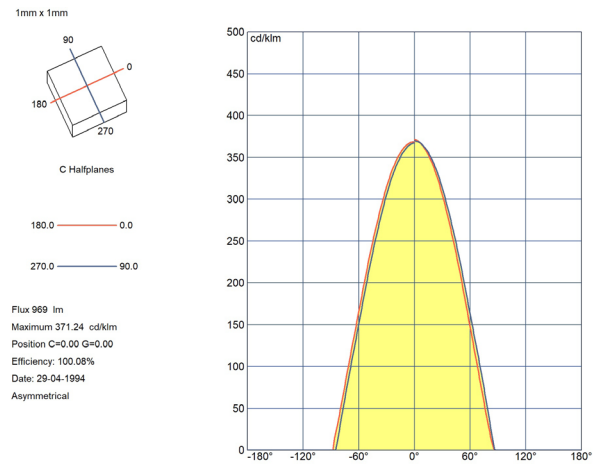
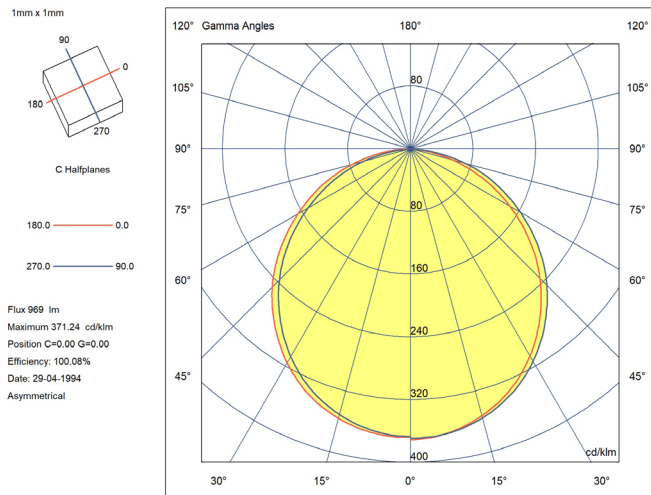
ENERGY EFFICIENCY 2023 (EU-2019/2015)

F

MEASURES



LIGHT INTENSITY DISTRIBUTION CURVE



CERTIFICATIONS

CE & ROHS

EMC Directive 2014/30/EU ELECTROMAGNETIC COMPATIBILITY

- EN IEC 55015** Limits and methods of measurement of radio disturbance characteristics of electrical lighting and similar equipment.
- EN IEC 61000-3-2** Electromagnetic compatibility (EMC) - Part 3-2: Limits - Limits for harmonic current emissions (equipment input current = 16 A per phase).
- EN 61000-3-3** Electromagnetic compatibility (EMC) - Part 3-3: Limits - Limitation of voltage changes, voltage fluctuations and flicker in public low-voltage supply systems, for equipment with rated current ≤ 16 A per phase and not subject to conditional connection.
- EN 61547:** Equipment for general lighting purposes - EMC immunity requirements.

LVD Directive 2014/35/EU LOW VOLTAGE

- EN IEC 60598-1** Luminaires - Part 1: General requirements and tests.
- EN IEC 60598-2-1** Luminaires - Part 2-1: Particular requirements - Fixed general purpose luminaires

RoHS Directive 2011/65/EU and Delegated Directive (EU) 2015/863

Determination of certain substances in electrotechnical products.

- IEC 62321-1** **IEC 62321-3-1**
- IEC 62321-4** **IEC 62321-5**
- IEC 62321-6** **IEC 62321-7-1**
- IEC62321-7-2** **IEC 62321-8**

