

260600CWDIM

ROUND SURFACE-MOUNTED DIMMABLE LED DOWNLIGHT 6W 6000K WHITE



PRODUCT SPECIFICATIONS

| | |
|--------------|-------------------------------------|
| Item code: | 260600CWDIM |
| Description: | Surface-mounted round LED downlight |
| EAN13 code: | 8436568442907 |

ELECTRICAL DATA

| | |
|------------------------------|------------|
| Power: | 6w |
| Voltage: | 200/250vac |
| Frequency: | 50/60Hz |
| Overvoltage protection: | 2 kv |
| Power factor: | 0,9 |
| Dimmable: | YES |
| Dimming system: | TRIAC |
| Electrical insulation class: | CLASS II |
| Connection: | L/N |

LUMINOUS DATA

| | |
|--|-------------|
| Color temperature: | 6000K |
| Luminous efficiency: | 100 lm/w |
| Lumens: | 600lm |
| LED chip brand: | San'an |
| LED chip model: | SMD2835 |
| Beam angle: | 180° |
| Luminous distribution: | Symmetrical |
| Color rendering index: | >80 |
| Standard deviation of colour matching: | <6 |
| Luminous maintenance factor: | L95 |
| Flicker index: | ≤1,0 |
| SVM (Stroboscopic Visibility Measure): | ≤0,4 |

TECHNICAL DATA

| | |
|------------------------|--|
| Protection rating: | IP44 (Equipment protected against objects larger than 1 mm and splashing water) |
| Impact rating: | IK06 (1J) |
| Operating temperature: | -20°~50° |
| Mounting type: | Surface mounting |

AVERAGE LIFESPAN

| | |
|----------------|---------------------|
| Working hours: | 40000 hrs |
| Switch cycles: | 35000 ON/OFF |

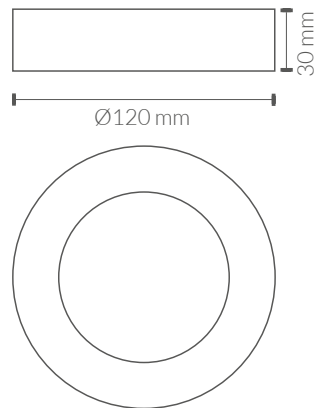
PHYSICAL DATA

| | |
|-----------------|----------------------|
| Housing | |
| Material: | Aluminium |
| Finish: | White |
| Diffuser | |
| Material: | Polycarbonate |
| Finish: | Opal |
| Weight | |
| Weight: | 0,22 kg |

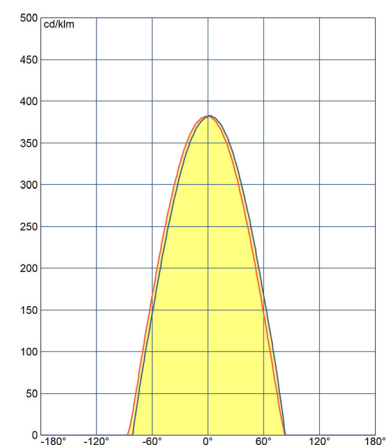
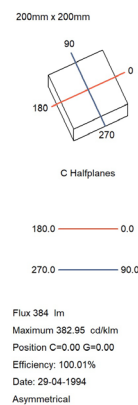
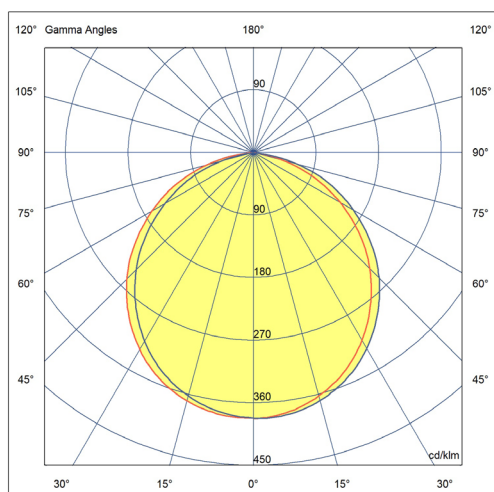
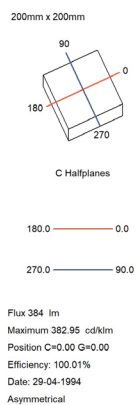
ENERGY EFFICIENCY 2023(UE-2019/2015)

F

DIMENSIONS



LUMINOUS INTENSITY DISTRIBUTION CURVE



EMC Directive 2014/30/EU ELECTROMAGNETIC COMPATIBILITY

- EN IEC 55015** Limits and methods of measurement of radio disturbance characteristics of electrical lighting and similar equipment.
- EN IEC 61000-3-2** Electromagnetic compatibility (EMC) - Part 3-2: Limits - Limits for harmonic current emissions (equipment input current =16 A per phase).
- EN 61000-3-3** Electromagnetic compatibility (EMC) - Part 3-3: Limits - Limitation of voltage changes, voltage fluctuations and flicker in public low-voltage supply systems, for equipment with rated current ≤ 16 A per phase and not subject to conditional connection.
- EN 61547:** Equipment for general lighting purposes - EMC immunity requirements.

LVD Directive 2014/35/EU LOW VOLTAGE

- EN IEC 60598-1** Luminaires - Part 1: General requirements and tests.
- EN IEC 60598-2-1** Luminaires - Part 2-1: Particular requirements - Fixed general purpose luminaires

RoHS Directive 2011/65/EU and Delegated Directive (EU) 2015/863

Determination of certain substances in electrotechnical products.

- IEC 62321-1** **IEC 62321-3-1**
- IEC 62321-4** **IEC 62321-5**
- IEC 62321-6** **IEC 62321-7-1**
- IEC62321-7-2** **IEC 62321-8**

