

## 261200CCT

### ROUND SURFACE-MOUNTED LED DOWNLIGHT 12W CCT WHITE



#### PRODUCT SPECIFICATIONS

Item code:	261200CCT
Description:	Round surface-mounted LED downlight
EAN13 code:	8432724903985

#### ELECTRICAL DATA

Power:	12w
Voltage:	85/265vac
Frequency:	50/60Hz
Overvoltage protection:	2 kv
Power factor:	0,5
Dimmable:	NOT
Electrical insulation class:	CLASS II
Connection:	L/N

#### LUMINOUS DATA

Color temperature:	CCT
CCT Options:	5700K / 4000K / 3000k
Selection system:	External module with DIP switch
Luminous efficiency:	100 lm/w
Lumens:	1200lm / 1272lm / 1176lm
LED chip brand:	Lumileds
LED chip model:	SMD2835
Beam angle:	180°
Luminous distribution:	Symmetrical
Color rendering index:	>85
Standard desviation of colour matching:	<6
Luminous maintenance factor:	L95

Flicker index:	≤1,0
SVM (Stroboscopic Visibility Measure):	≤0,4

## TECHNICAL DATA

Protection rating:	<b>IP44 (Equipment protected against objects larger than 1 mm and splashing water)</b>	
Impact rating:	IK06 (1J)	
Operating temperature:	-20°~50°	
Mounting type:	Surface mounting	

## AVERAGE LIFESPAN

Working hours:	50000 hrs
Switch cycles:	35000 ON/OFF

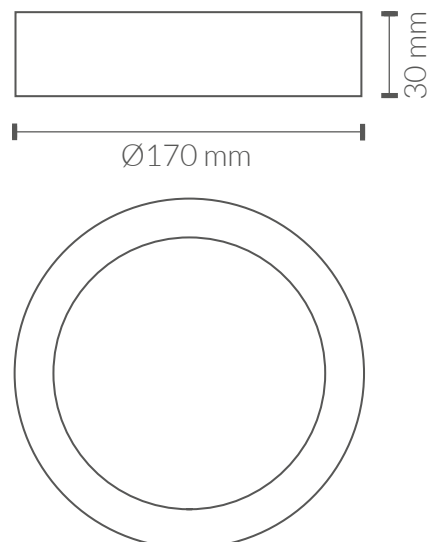
## PHYSICAL DATA

<b>Housing</b>		
Material:	Aluminium	
Finish:	White	
<b>Diffuser</b>		
Material:	Polycarbonate	
Finish:	Opal	
<b>Weight</b>		
Weight:	0,31 kg	

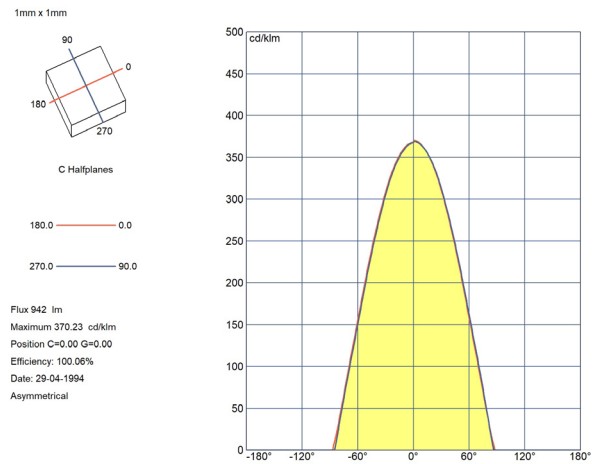
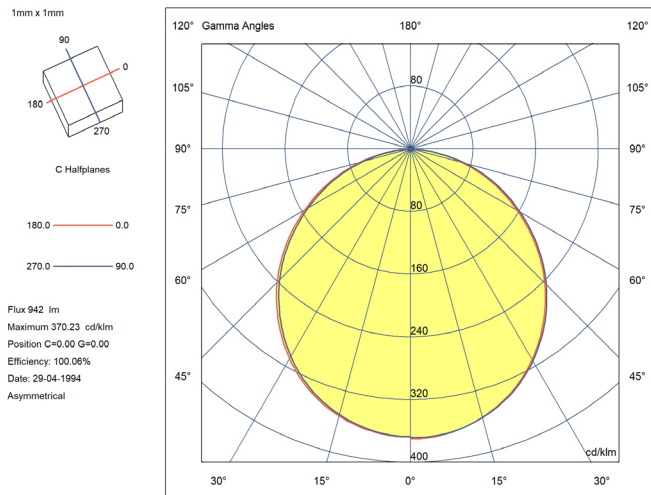
## ENERGY EFFICIENCY 2023(UE-2019/2015)

F

## DIMENSIONS



## LUMINOUS INTENSITY DISTRIBUTION CURVE



## CERTIFICATIONS

CE & ROHS

### EMC Directive 2014/30/EU ELECTROMAGNETIC COMPATIBILITY

- EN IEC 55015** Limits and methods of measurement of radio disturbance characteristics of electrical lighting and similar equipment.
- EN IEC 61000-3-2** Electromagnetic compatibility (EMC) - Part 3-2: Limits - Limits for harmonic current emissions (equipment input current = 16 A per phase).
- EN 61000-3-3** Electromagnetic compatibility (EMC) - Part 3-3: Limits - Limitation of voltage changes, voltage fluctuations and flicker in public low-voltage supply systems, for equipment with rated current  $\leq 16$  A per phase and not subject to conditional connection.
- EN 61547:** Equipment for general lighting purposes - EMC immunity requirements.

### LVD Directive 2014/35/EU LOW VOLTAGE

- EN IEC 60598-1** Luminaires - Part 1: General requirements and tests.
- EN IEC 60598-2-1** Luminaires - Part 2-1: Particular requirements - Fixed general purpose luminaires

### RoHS Directive 2011/65/EU and Delegated Directive (EU) 2015/863

Determination of certain substances in electrotechnical products.

- IEC 62321-1**            **IEC 62321-3-1**
- IEC 62321-4**            **IEC 62321-5**
- IEC 62321-6**            **IEC 62321-7-1**
- IEC62321-7-2**        **IEC 62321-8**

