

260600CCT

ROUND SURFACE-MOUNTED LED DOWNLIGHT 6W CCT WHITE



PRODUCT SPECIFICATIONS

Item code:	260600CCT
Description:	Round surface-mounted LED downlight
EAN13 code:	8432724903978

ELECTRICAL DATA

Power:	6w
Voltage:	85/265vac
Frequency:	50/60Hz
Overvoltage protection:	2 kv
Power factor:	0,5
Dimmable:	NOT
Electrical insulation class:	CLASS II
Connection:	L/N

LUMINOUS DATA

Color temperature:	CCT
CCT Options:	5700K / 4000K / 3000k
Selection system:	External module with DIP switch
Luminous efficiency:	100 lm/w
Lumens:	600lm / 636lm / 588lm
LED chip brand:	Lumileds
LED chip model:	SMD2835
Beam angle:	180°
Luminous distribution:	Symmetrical
Color rendering index:	>85
Standard desviation of colour matching:	<6
Luminous maintenance factor:	L95

Flicker index:	≤1,0
SVM (Stroboscopic Visibility Measure):	≤0,4

TECHNICAL DATA

Protection rating:	IP44 (Equipment protected against objects larger than 1 mm and splashing water)	
Impact rating:	IK06 (1J)	
Operating temperature:	-20°~50°	
Mounting type:	Surface mounting	

AVERAGE LIFESPAN

Working hours:	50000 hrs
Switch cycles:	35000 ON/OFF

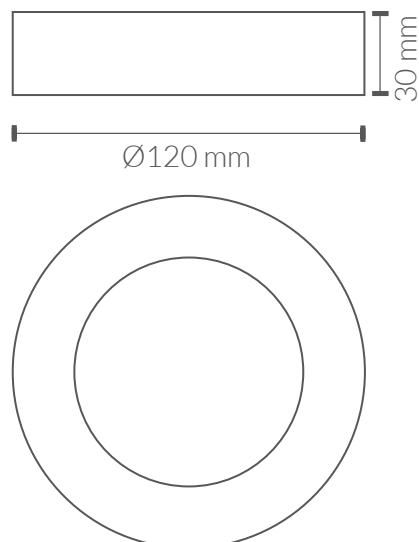
PHYSICAL DATA

Housing		
Material:	Aluminium	
Finish:	White	
Diffuser		
Material:	Polycarbonate	
Finish:	Opal	
Weight		
Weight:	0,22 kg	

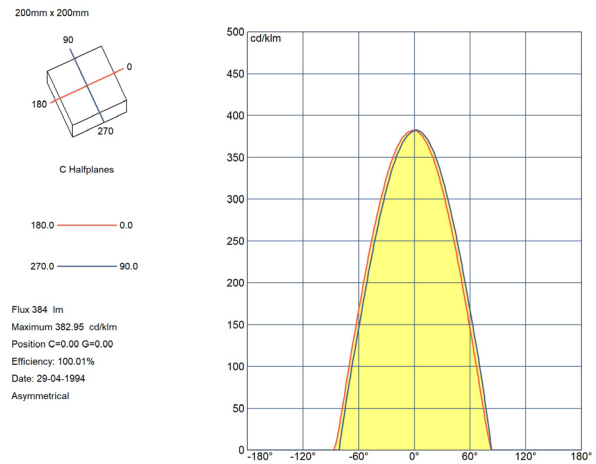
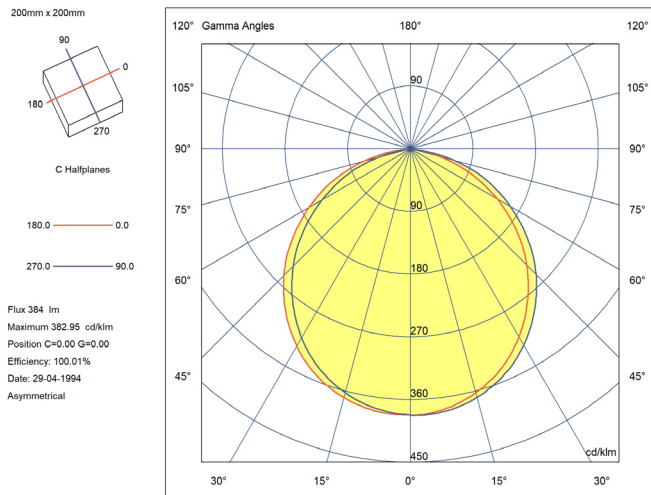
ENERGY EFFICIENCY 2023(UE-2019/2015)

F

DIMENSIONS



LUMINOUS INTENSITY DISTRIBUTION CURVE



CERTIFICATIONS

CE & ROHS

EMC Directive 2014/30/EU ELECTROMAGNETIC COMPATIBILITY

- EN IEC 55015** Limits and methods of measurement of radio disturbance characteristics of electrical lighting and similar equipment.
- EN IEC 61000-3-2** Electromagnetic compatibility (EMC) - Part 3-2: Limits - Limits for harmonic current emissions (equipment input current = 16 A per phase).
- EN 61000-3-3** Electromagnetic compatibility (EMC) - Part 3-3: Limits - Limitation of voltage changes, voltage fluctuations and flicker in public low-voltage supply systems, for equipment with rated current ≤ 16 A per phase and not subject to conditional connection.
- EN 61547:** Equipment for general lighting purposes - EMC immunity requirements.

LVD Directive 2014/35/EU LOW VOLTAGE

- EN IEC 60598-1** Luminaires - Part 1: General requirements and tests.
- EN IEC 60598-2-1** Luminaires - Part 2-1: Particular requirements - Fixed general purpose luminaires

RoHS Directive 2011/65/EU and Delegated Directive (EU) 2015/863

Determination of certain substances in electrotechnical products.

- IEC 62321-1** **IEC 62321-3-1**
- IEC 62321-4** **IEC 62321-5**
- IEC 62321-6** **IEC 62321-7-1**
- IEC62321-7-2** **IEC 62321-8**

