

212000WW

**IP65 RECESSED
DOWNLIGHT 20W
3000K**



PRODUCT SPECIFICATIONS

Item code:	212000WW
Description:	Recessed LED downlight
EAN13 code:	843524903856

ELECTRICAL DATA

Power:	20w
Voltage:	85/265vac
Overvoltage protection:	2KV
Frequency:	50/60Hz
Power factor:	0,9
Dimmable:	NOT
Electrical insulation class:	CLASS II
Connection:	L/N

LUMINOUS DATA

Color temperature:	3000K
Luminous efficiency:	115 lm/w
Lumens:	2120lm
LED chip brand:	Lumileds
LED chip model:	SMD 2835
Beam angle:	180°
Luminous distribution:	Symmetrical
Color rendering index:	>80
Standard desviation of colour matching:	<6
Luminous maintenance factor:	L95
Flicker index:	≤1,0
SVM (Stroboscopic Visibility Measure):	≤0,4

TECHNICAL DATA

Protection rating:	IP65 (Dust-tight equipment and protected against water jets)
Impact rating:	IK06 (1J)
Operating temperature:	-20°~50°
Mounting type:	Recessed mounting

AVERAGE LIFESPAN

Working hours:	40000 hrs
Switch cycles:	35000 ON/OFF

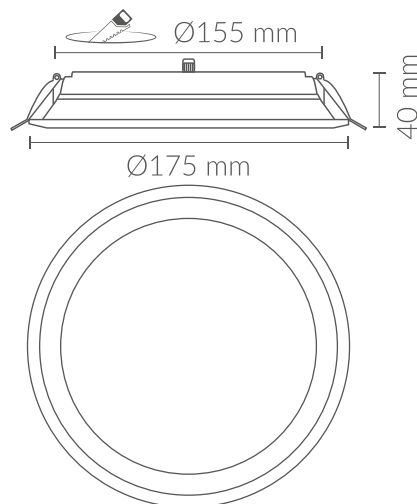
PHYSICAL DATA

Housing	
Material:	Aluminium
Finish:	White
Diffuser	
Material:	Polycarbonate
Finish:	Opal
Weight	
Weight:	0,65 kg

ENERGY EFFICIENCY 2023(UE-2019/2015)

F

DIMENSIONS



CERTIFICATIONS

