

243600NW

ERITEA LED DOWNLIGHT WITH ADJUSTABLE CUT-OUT 36W 4000K

Eritea recessed LED downlight with adjustable cut-out (minimum 50mm, maximum 200mm). 36W power and 3708lm luminous flux. 180° optical opening with symmetrical light distribution, and colour temperature 4000K. IP44 protection rating on the exterior and IP20 on the interior, and IK06 mechanical impact resistance rating. Made of aluminium and polypropylene with opal finish.



PRODUCT SPECIFICATIONS

Item code:	243600NW
Description:	Recessed LED downlight with adjustable cut-out
EAN13 code:	8436568447247

ELECTRICAL DATA

Power:	36w
Voltage:	100/240vac
Frequency:	50Hz
Power factor:	0,5
Dimmable:	NOT
Electrical insulation class:	CLASS II
Connection:	L/N

LUMINOUS DATA

Color temperature:	4000K
Luminous efficiency:	105 lm/w
Lumens:	3708lm
LED chip brand:	San'an
LED chip model:	SMD2835
Beam angle:	180°
Luminous distribution:	Symmetrical
Color rendering index:	>80
Standard deviation of colour matching:	<6
Luminous maintenance factor:	L95

Flicker index:	≤1,0
SVM (Stroboscopic Visibility Measure):	≤0,4

TECHNICAL DATA

Protection rating (Indoor):	IP20 (Equipment protected against objects >12mm in diameter)
Protection rating (Outdoor):	IP44 (Equipment protected against objects larger than 1 mm and splashing water)
Impact rating:	IK06 (1J)
Operating temperature:	-20°~50°
Mounting type:	Recessed mounting

AVERAGE LIFESPAN

Working hours:	30000 hrs
Switch cycles:	25000 ON/OFF

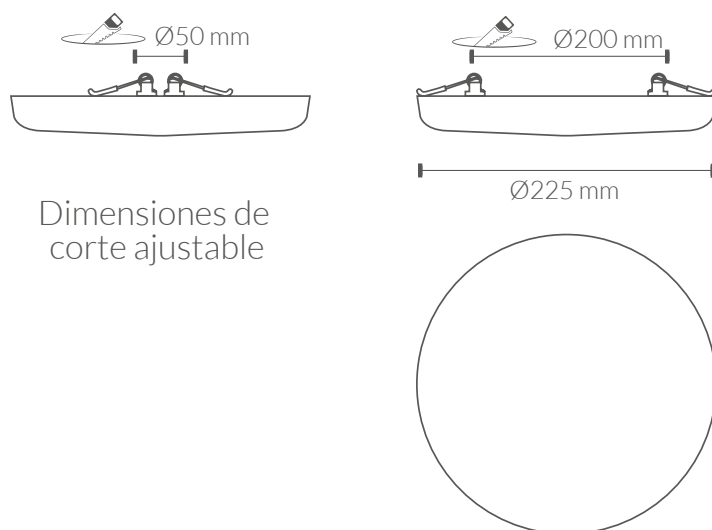
PHYSICAL DATA

Housing	
Material:	Aluminum
Finish:	White
Difusor	
Material:	Polypropylene
Finish:	Opal
Weight	
Weight:	0,146 kg

ENERGY EFFICIENCY 2023(UE-2019/2015)

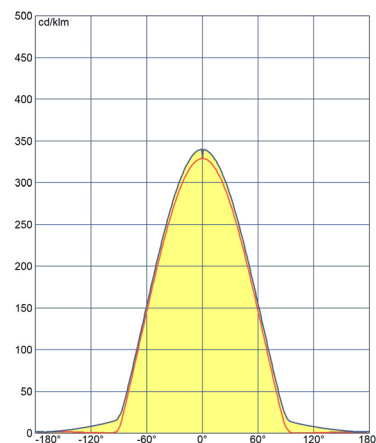
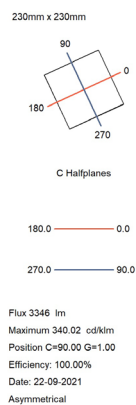
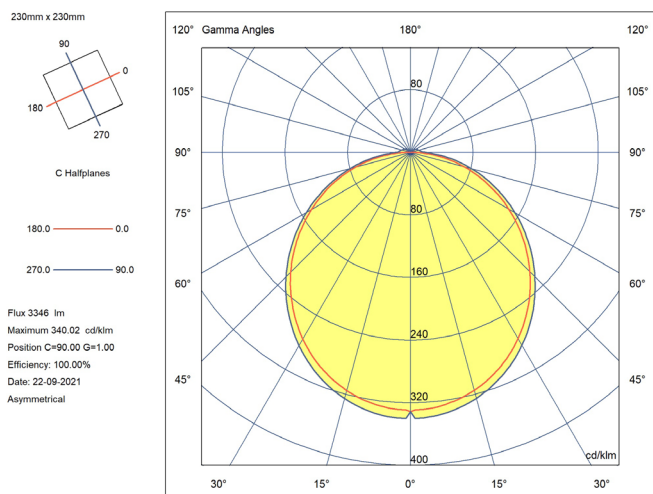
F

DIMENSIONS



Dimensiones de corte ajustable

LUMINOUS INTENSITY DISTRIBUTION CURVE



CERTIFICATIONS

CE & ROHS

EMC Directive 2014/30/EU ELECTROMAGNETIC COMPATIBILITY

- EN IEC 55015** Limits and methods of measurement of radio disturbance characteristics of electrical lighting and similar equipment.
- EN IEC 61000-3-2** Electromagnetic compatibility (EMC) - Part 3-2: Limits - Limits for harmonic current emissions (equipment input current = 16 A per phase).
- EN 61000-3-3** Electromagnetic compatibility (EMC) - Part 3-3: Limits - Limitation of voltage changes, voltage fluctuations and flicker in public low-voltage supply systems, for equipment with rated current ≤ 16 A per phase and not subject to conditional connection.
- EN 61547:** Equipment for general lighting purposes - EMC immunity requirements.

LVD Directive 2014/35/EU LOW VOLTAGE

- EN IEC 60598-1** Luminaires - Part 1: General requirements and tests.
- EN IEC 60598-2-1** Luminaires - Part 2-1: Particular requirements - Fixed general purpose luminaires

RoHS Directive 2011/65/EU and Delegated Directive (EU) 2015/863

Determination of certain substances in electrotechnical products.

- IEC 62321-1** **IEC 62321-3-1**
- IEC 62321-4** **IEC 62321-5**
- IEC 62321-6** **IEC 62321-7-1**
- IEC62321-7-2** **IEC 62321-8**

