

## 200630NWDIM

### ROUND RECESSED DIMMABLE LED DOWNLIGHT 6W 4500K MATT CHROME



#### PRODUCT SPECIFICATIONS

|              |                              |
|--------------|------------------------------|
| Item code:   | 200630NWDIM                  |
| Description: | Recessed round LED downlight |
| EAN13 code:  | 8436568448992                |

#### ELECTRICAL DATA

|                              |            |
|------------------------------|------------|
| Power:                       | 6w         |
| Voltage:                     | 200/250vac |
| Frequency:                   | 50/60Hz    |
| Overvoltage protection:      | 2 kv       |
| Power factor:                | 0,9        |
| Dimmable:                    | YES        |
| Dimming system:              | TRIAC      |
| Electrical insulation class: | CLASS II   |
| Connection:                  | L/N        |

#### LUMINOUS DATA

|  |             |
|--|-------------|
| Color temperature:                     | 4500K       |
| Luminous efficiency:                   | 98 lm/w     |
| Lumens:                                | 588lm       |
| LED chip brand:                        | San'an      |
| LED chip model:                        | SMD2835     |
| Beam angle:                            | 180°        |
| Luminous distribution:                 | Symmetrical |
| Color rendering index:                 | >80         |
| Standard deviation of colour matching: | <6          |
| Luminous maintenance factor:           | L95         |
| Flicker index:                         | ≤1,0        |
| SVM (Stroboscopic Visibility Measure): | ≤0,4        |

## TECHNICAL DATA

|                        |  |
|------------------------|--|
| Protection rating:     | <b>IP44 (Equipment protected against objects larger than 1 mm and splashing water)</b> |
| Impact rating:         | <b>IK06 (1J)</b>   |
| Operating temperature: | <b>-20°~50°</b>  |
| Mounting type:         | <b>Recessed mounting</b>   |

## AVERAGE LIFESPAN

|                |                     |
|----------------|---------------------|
| Working hours: | <b>40000 hrs</b>    |
| Switch cycles: | <b>35000 ON/OFF</b> |

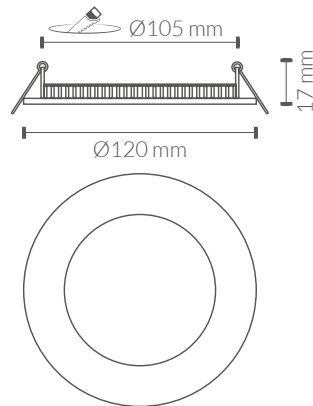
## PHYSICAL DATA

|                 |                      |
|-----------------|----------------------|
| <b>Housing</b>  |                      |
| Material:       | <b>Aluminium</b>     |
| Finish:         | <b>Matt Chrome</b>   |
| <b>Diffuser</b> |                      |
| Material:       | <b>Polycarbonate</b> |
| Finish:         | <b>Opal</b>          |
| <b>Weight</b>   |                      |
| Weight:         | <b>0,18 kg</b>       |

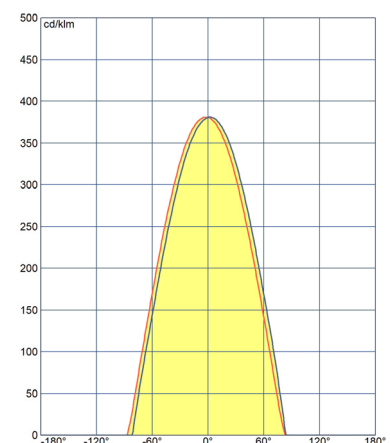
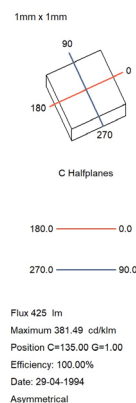
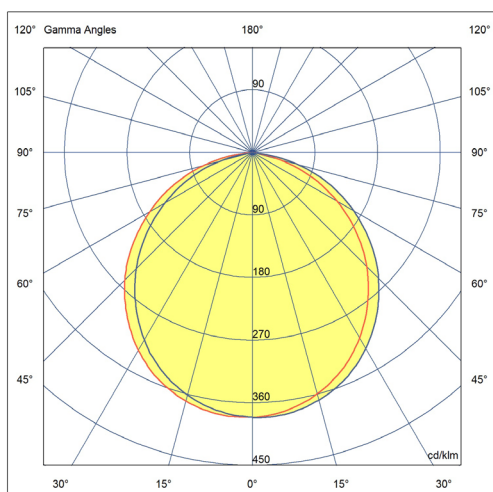
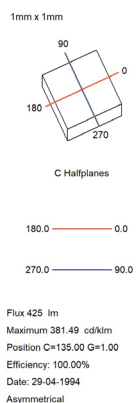
## ENERGY EFFICIENCY 2023(UE-2019/2015)

**F**

## DIMENSIONS



## LUMINOUS INTENSITY DISTRIBUTION CURVE



**EMC Directive 2014/30/EU ELECTROMAGNETIC COMPATIBILITY**

- EN IEC 55015** Limits and methods of measurement of radio disturbance characteristics of electrical lighting and similar equipment.
- EN IEC 61000-3-2** Electromagnetic compatibility (EMC) - Part 3-2: Limits - Limits for harmonic current emissions (equipment input current =16 A per phase).
- EN 61000-3-3** Electromagnetic compatibility (EMC) - Part 3-3: Limits - Limitation of voltage changes, voltage fluctuations and flicker in public low-voltage supply systems, for equipment with rated current  $\leq 16$  A per phase and not subject to conditional connection.
- EN 61547:** Equipment for general lighting purposes - EMC immunity requirements.

**LVD Directive 2014/35/EU LOW VOLTAGE**

- EN IEC 60598-1** Luminaires - Part 1: General requirements and tests.
- EN IEC 60598-2-1** Luminaires - Part 2-1: Particular requirements - Fixed general purpose luminaires

**RoHS Directive 2011/65/EU and Delegated Directive (EU) 2015/863**

Determination of certain substances in electrotechnical products.

- IEC 62321-1**            **IEC 62321-3-1**
- IEC 62321-4**            **IEC 62321-5**
- IEC 62321-6**            **IEC 62321-7-1**
- IEC62321-7-2**        **IEC 62321-8**

