

201200CCT

ROUND RECESSED LED DOWNLIGHT 12W CCT WHITE



PRODUCT SPECIFICATIONS

| | |
|--------------|------------------------------|
| Item code: | 201200CCT |
| Description: | Round recessed LED downlight |
| EAN13 code: | 8432724903930 |

ELECTRICAL DATA

| | |
|------------------------------|-----------|
| Power: | 12w |
| Voltage: | 85/265vac |
| Frequency: | 50/60Hz |
| Overvoltage protection: | 2 kv |
| Power factor: | 0,5 |
| Dimmable: | NOT |
| Electrical insulation class: | CLASS II |
| Connection: | L/N |

LUMINOUS DATA

| | |
|--|---------------------------------|
| Color temperature: | CCT |
| CCT Options: | 5700K / 4000K / 3000k |
| Selection system: | External module with DIP switch |
| Luminous efficiency: | 100 lm/w |
| Lumens: | 1200lm / 1272lm / 1176lm |
| LED chip brand: | Lumileds |
| LED chip model: | SMD2835 |
| Beam angle: | 180° |
| Luminous distribution: | Symmetrical |
| Color rendering index: | >85 |
| Standard deviation of colour matching: | <6 |
| Luminous maintenance factor: | L95 |

| | |
|--|------|
| Flicker index: | ≤1,0 |
| SVM (Stroboscopic Visibility Measure): | ≤0,4 |

TECHNICAL DATA

| | | |
|------------------------|--|--------------------------|
| Protection rating: | IP44 (Equipment protected against objects larger than 1 mm and splashing water) | |
| Impact rating: | | IK06 (1J) |
| Operating temperature: | | -20°~50° |
| Mounting type: | | Recessed mounting |

AVERAGE LIFESPAN

| | | |
|----------------|--|---------------------|
| Working hours: | | 50000 hrs |
| Switch cycles: | | 35000 ON/OFF |

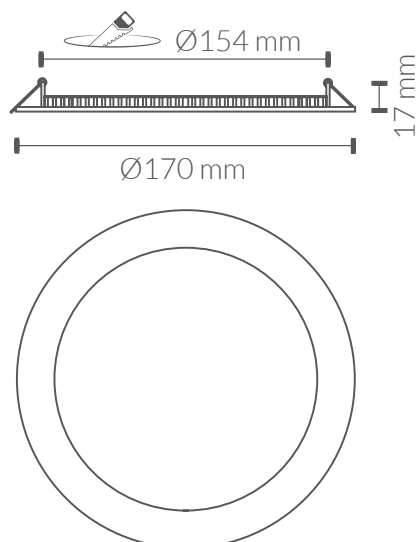
PHYSICAL DATA

| | | |
|-----------------|--|----------------------|
| Housing | | |
| Material: | | Aluminium |
| Finish: | | White |
| Diffuser | | |
| Material: | | Polycarbonate |
| Finish: | | Opal |
| Weight | | |
| Weight: | | 0,27 kg |

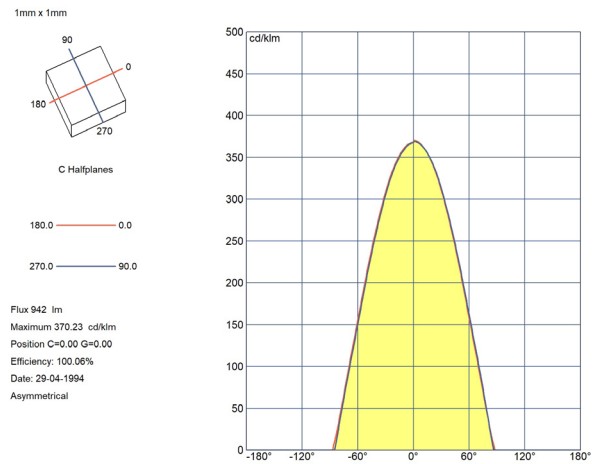
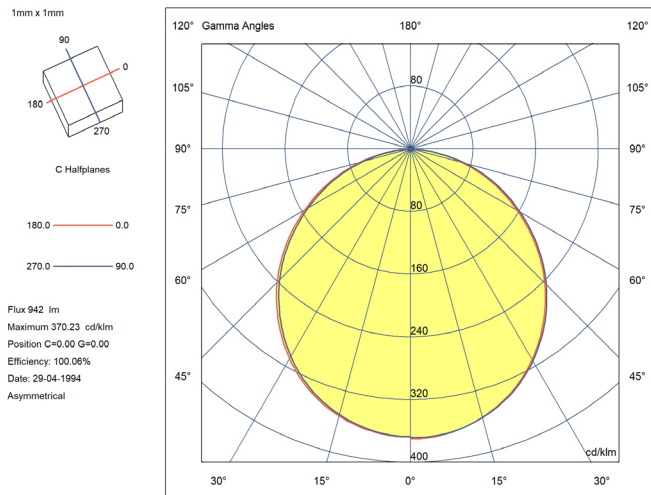
ENERGY EFFICIENCY 2023(UE-2019/2015)

F

DIMENSIONS



LUMINOUS INTENSITY DISTRIBUTION CURVE



CERTIFICATIONS

CE & ROHS

EMC Directive 2014/30/EU ELECTROMAGNETIC COMPATIBILITY

- EN IEC 55015** Limits and methods of measurement of radio disturbance characteristics of electrical lighting and similar equipment.
- EN IEC 61000-3-2** Electromagnetic compatibility (EMC) - Part 3-2: Limits - Limits for harmonic current emissions (equipment input current = 16 A per phase).
- EN 61000-3-3** Electromagnetic compatibility (EMC) - Part 3-3: Limits - Limitation of voltage changes, voltage fluctuations and flicker in public low-voltage supply systems, for equipment with rated current ≤ 16 A per phase and not subject to conditional connection.
- EN 61547:** Equipment for general lighting purposes - EMC immunity requirements.

LVD Directive 2014/35/EU LOW VOLTAGE

- EN IEC 60598-1** Luminaires - Part 1: General requirements and tests.
- EN IEC 60598-2-1** Luminaires - Part 2-1: Particular requirements - Fixed general purpose luminaires

RoHS Directive 2011/65/EU and Delegated Directive (EU) 2015/863

Determination of certain substances in electrotechnical products.

- IEC 62321-1** **IEC 62321-3-1**
- IEC 62321-4** **IEC 62321-5**
- IEC 62321-6** **IEC 62321-7-1**
- IEC62321-7-2** **IEC 62321-8**

