

## 890301NG

### LYRA SOLAR OUTDOOR WALL LIGHT WITH SENSOR 5W CCT

LYRA solar wall light with PIR sensor, surface-mounted installation and suitable for outdoor use with IP54 protection rating. 5W power and 600lm luminous flux. Direct lighting with 3 selectable colour temperatures via DIP switch. IK08 mechanical impact resistance rating. ABS body with black finish.



#### PRODUCT SPECIFICATIONS

Item code:	890301NG
Description:	LYRA outdoor wall light with sensor
EAN13 code:	

#### ELECTRICAL DATA

Power:	5w
Dimmable:	NOT
Electrical insulation class:	CLASS III

#### LUMINOUS DATA

Color temperature:	Selectable CCT 5700K/4000K/2700K
Luminous efficiency:	120 lm/w
Selection system:	DIP switch
Lumens:	600lm
LED chip model:	SMD 2835
Beam angle:	120°
Luminous distribution:	Symmetrical
Color rendering index:	>80
Standard deviation of colour matching:	<4
Luminous maintenance factor:	L90
Flicker index:	≤1,0

## BATTERY DATA

Power:	18650 LI-ON 3.7V 1800mA
Charging time:	4-6 h.
Autonomy:	

## SOLAR PANEL DATA

Power:	1,8W
Voltage:	5,5 V DC

## TECHNICAL DATA

Protection rating:	IP54 (Equipment protected against dust and water splashes)
Impact rating:	IK08 (5J)
Operating temperature:	-20°~50°
Mounting type:	Surface

## AVERAGE LIFESPAN

Working hours:	35000 hrs
Switch cycles:	25000 ON/OFF

## SENSOR DATA

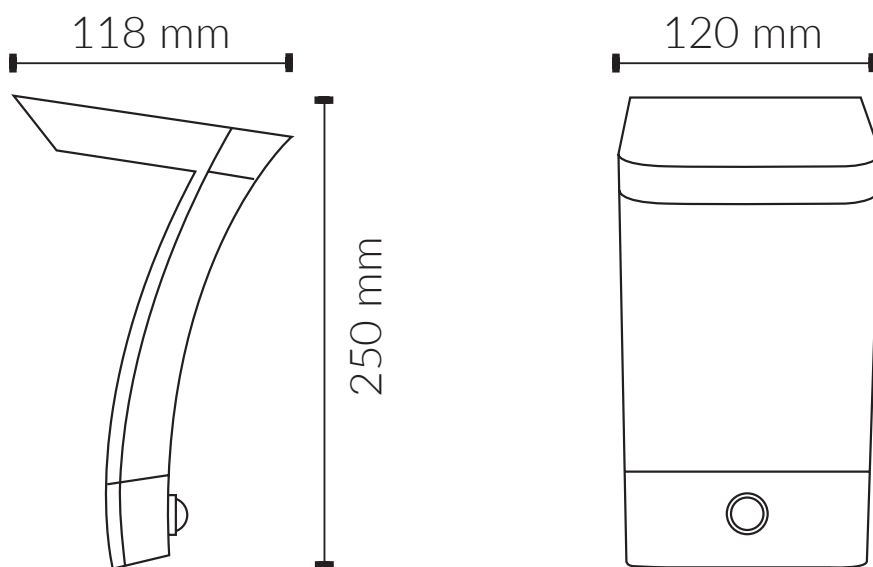
Sensor type:	PIR
Work mode:	Option 1: Standby dim light + motion activation Option 2: Motion detection only (no standby light) Option 3: Constant dim light (PIR sensor disabled) Opción 4: Off
Configuration options:	YES

## PHYSICAL DATA

<b>Housing</b>	
Material:	ABS
Finish:	Black
<b>Diffuser</b>	
Material:	Polycarbonate
Finish:	Opal
<b>Solar Panel</b>	
Material:	Monocrystalline silicon

## DIMENSIONS

---



## CERTIFICATIONS

---

CE RoHS