

890101CCT

HELIO SOLAR OUTDOOR LED WALL LIGHT WITH SENSOR 4W CCT



HELIO solar wall light with PIR sensor, surface-mounted installation and suitable for outdoor use with IP54 protection rating. 4W power and 480lm luminous flux. Direct lighting with 3 selectable colour temperatures via DIP switch. IK08 mechanical impact resistance rating. ABS body with black finish.

PRODUCT SPECIFICATIONS

Item code:	890101CCT
Description:	HELIO outdoor led wall light with sensor
EAN13 code:	8435724908042

ELECTRICAL DATA

Power:	4w
Dimmable:	NOT
Electrical insulation class:	CLASS III

LUMINOUS DATA

Color temperature:	Selectable CCT 5700K/4000K/2700K
Luminous efficiency:	120 lm/w
Selection system:	DIP switch
Lumens:	480lm
LED chip model:	SMD 2835
Beam angle:	120°
Luminous distribution:	Symmetrical
Color rendering index:	>80
Standard deviation of colour matching:	<4
Luminous maintenance factor:	L90B10
Flicker index:	≤1,0

BATTERY DATA

Power:	18650 LI-ON 3.7V 1800mA
Charging time:	4-6 h.
Autonomy:	70 min.
Replaceable Battery:	YES

SOLAR PANEL DATA

Power:	1W
Voltage:	5,5 V DC

TECHNICAL DATA

Protection rating:	IP54 (Equipment protected against dust and water splashes)
Impact rating:	IK08 (5J)
Operating temperature:	-20°~50°
Mounting type:	Surface

AVERAGE LIFESPAN

Working hours:	35000 hrs
Switch cycles:	25000 ON/OFF

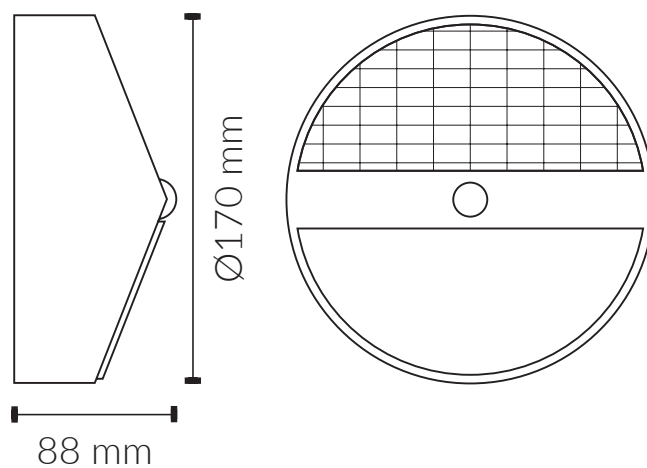
SENSOR DATA

Sensor type:	PIR
Work mode:	Option 1: Stand-by light at 7% output, 100% upon motion detection. On-time: 30 s. Opção 2: ON/OFF, 100% de luminosidade ao detetar movimento. Tempo de funcionamento: 30 s. Opção 3: Sensor de movimento desativado. Luz fixa a 100% de luminosidade. Autonomia: 70 min. Option 4: Off
Configuration options:	YES

PHYSICAL DATA

Housing	
Material:	ABS
Finish:	Black
Diffuser	
Material:	Polycarbonate
Finish:	Opal
Solar Panel	
Material:	Monocrystalline silicon

DIMENSIONS



CERTIFICATIONS

CE  RoHS