

880330CCT

ACRA OUTDOOR WALL LIGHT WITH SENSOR 14W CCT

ACRA wall light with PIR sensor, surface-mounted and suitable for outdoor use with a protection rating of IP65. Power of 14W and luminous flux of 1400lm. Direct lighting and 3 selectable color temperatures via DIP switch. Mechanical impact resistance rating IK07. Housing made of polycarbonate with gray finish.



PRODUCT SPECIFICATIONS

Item code:	880330CCT
Description:	ACRA outdoor wall light with sensor
EAN13 code:	8435724901920

ELECTRICAL DATA

Power:	14w
Voltage:	220-240vac
Frequency:	50 Hz
Power factor:	0,9
Dimmable:	NOT
Electrical insulation class:	CLASS II
Connection:	L/N

LUMINOUS DATA

Color temperature:	Selectable CCT 5700K / 4000K / 2700K
Luminous efficiency:	100 lm/w
Color temperature selection mode:	DIP switch
Lumens:	1400lm
LED chip model:	SMD 2835
Beam angle:	120°
Luminous distribution:	Symmetrical
Color rendering index:	>80
Color rendering index (Minimum value):	80
Color rendering index (Maximum value):	83
Standard deviation of colour matching:	<6
Luminous maintenance factor:	L96B10
Flicker index:	≤1,0
SVM (Stroboscopic Visibility Measure):	≤0,4

TECHNICAL DATA

Protection rating:	IP65 (Dust-tight equipment and protected against water jets)
Impact rating:	IK07 (2J)
Operating temperature:	-25°~50°
Mounting type:	Surface

AVERAGE LIFESPAN

Working hours:	30000 hrs
Switching cycles:	25000 ON/OFF

SENSOR DATA

Sensor type:	PIR
Work mode:	ON/OFF function
Configuration options:	YES
Detection range:	1-8 mts
Detection angle:	22°
Hold time:	10sg - 1min
Light sensor:	10-2000 lux

PHYSICAL DATA

Housing

Material:	Polycarbonate
Finish:	Gray

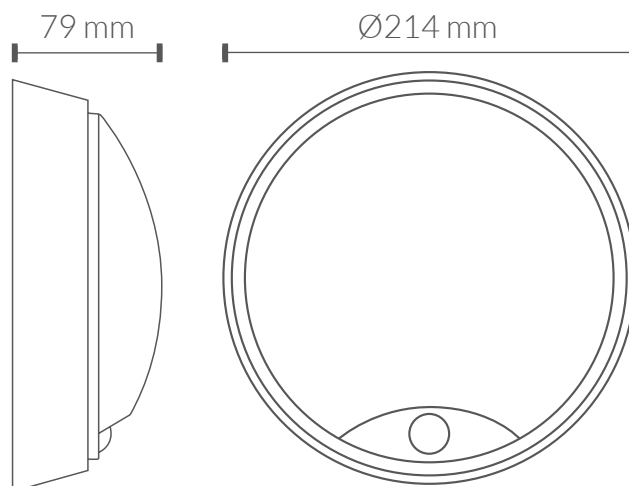
Diffuser

Material:	Polycarbonate
Finish:	Opal

ENERGY EFFICIENCY 2023(UE-2019/2015)

F

DIMENSIONS



EMC Directive 2014/30/EU ELECTROMAGNETIC COMPATIBILITY

- EN IEC 55015** Limits and methods of measurement of radio disturbance characteristics of electrical lighting and similar equipment.
- EN IEC 61000-3-2** Electromagnetic compatibility (EMC) - Part 3-2: Limits - Limits for harmonic current emissions (equipment input current =16 A per phase).
- EN 61000-3-3** Electromagnetic compatibility (EMC) - Part 3-3: Limits - Limitation of voltage changes, voltage fluctuations and flicker in public low-voltage supply systems, for equipment with rated current ≤ 16 A per phase and not subject to conditional connection.
- EN 61547:** Equipment for general lighting purposes - EMC immunity requirements.

LVD Directive 2014/35/EU LOW VOLTAGE

- EN IEC 60598-1** Luminaires - Part 1: General requirements and tests.
- EN IEC 60598-2-1** Luminaires - Part 2-1: Particular requirements - Fixed general purpose luminaires
- EN 62493** Assessment of lighting equipment related to human exposure to electromagnetic Field

RoHS Directive 2011/65/EU and Delegated Directive (EU) 2015/863

Determination of certain substances in electrotechnical products.

